



The EQE

Price List from 01st January to 31st March 2024

MERCEDES-EQ



Welcome

At Mercedes-Benz we appreciate the importance of detail. Over the following pages you'll find model prices and a breakdown of standard and optional equipment, as well as details of the attractive finance offers and benefits that are available to every Mercedes-Benz driver.

We have highlighted some of the best styling features both inside and out, some of the new technology features and some body styling options which all combine to give you a unique driving experience. To experience a full listing of what is available; please speak directly to your local Mercedes-Benz Dealer.

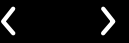
Of course, some things have to be experienced to be truly appreciated, such as the qualities that set a Mercedes-Benz apart, which is why we'd like to invite you for a test drive at your local Mercedes-Benz Dealership. Discover the location and the contact details of your local Mercedes-Benz Dealership at **www.mercedes-benz.ie**



Some of the model features, optional extras and colours shown may not be available, or may only be available in a different specification, or at a different price.



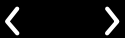
Some of the model features, optional extras and colours shown may not be available, or may only be available in a different specification, or at a different price.



Some of the model features, optional extras and colours shown may not be available, or may only be available in a different specification, or at a different price.



Some of the model features, optional extras and colours shown may not be available, or may only be available in a different specification, or at a different price.



Some of the model features, optional extras and colours shown may not be available, or may only be available in a different specification, or at a different price.

Price List

Electric Drive

Model Description	Wheel size	CO2	VRT Rate	Road Tax	BHP	WLTP Range	Price*
EQE 300 Electric Art Exterior	19"	0	7%	€120	245	613	€80,715
EQE 300 AMG Line Exterior	19"	0	7%	€120	245	613	€84,785
EQE 350 Electric Art Exterior	19"	0	7%	€120	292	613	€84,855
EQE 350 AMG Line Exterior	19"	0	7%	€120	292	613	€88,925
EQE 350+ Electric Art Exterior	19"	0	7%	€120	292	674	€85,675
EQE 350 4MATIC Electric Art Exterior	19"	0	7%	€120	292	615	€88,280
EQE 350 4MATIC AMG Line Exterior	19"	0	7%	€120	292	615	€92,350
EQE 500 4MATIC Electric Art Exterior	19"	0	7%	€120	408	613	€97,360
EQE 500 4MATIC AMG Line Exterior	19"	0	7%	€120	408	614	€101,430
MERCEDES-AMG EQE 43 4MATIC	20"	0	7%	€120	476	503	€118,865
MERCEDES-AMG EQE 53 4MATIC+	20"	0	7%	€120	625	501	€125,330

*Prices applicable to all models registered from 1st January to 31st March 2024 . **Stock in the country only.** Subject to availability. Terms & Conditions apply. Prices quoted do not include dealer and delivery related charges. Owing to supply shortages, options for vehicles may be temporarily restricted, resulting in modified vehicle and/or package pricing . Regularly updated information on this issue is available from Mercedes-Benz dealers.

EQE

Sustainability



Sustainable production.

All our Mercedes-Benz factories around the world plan to be CO₂ neutral by 2022.



Sustainable materials.

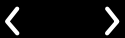
To ensure the responsible mining of cobalt, lithium and other battery raw materials, Mercedes-Benz has already made the IRMA Standard for Responsible Mining a contractual component for all future vehicle projects.

Sustainable mobility.

Locally emission-free driving pleasure, virtually silent with full access to inner city zones. All our EQ vehicles come as standard with an external acoustic warning to alert pedestrians or cyclists at speeds under 30 kph.







EQE



Technology

Mercedes me connect

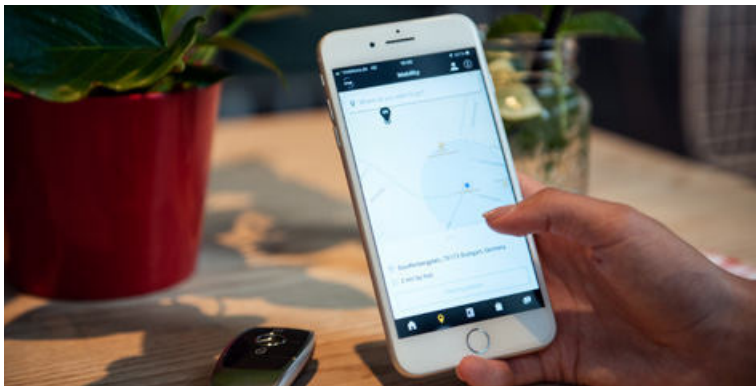
Stay connected any time, anywhere.

Mercedes *me*

Mercedes me is a range of innovative online services designed to enhance your Mercedes-Benz experience. Accessible via mobile, tablet or PC, Mercedes me lets you enjoy the highest standards of care and support, in a way that integrates seamlessly with your busy lifestyle.

Safety and Service – Mercedes me connect helps to keep you and your car safe

Check your car's oil level, tyre pressure and fuel from your phone so you'll be ready for every journey.

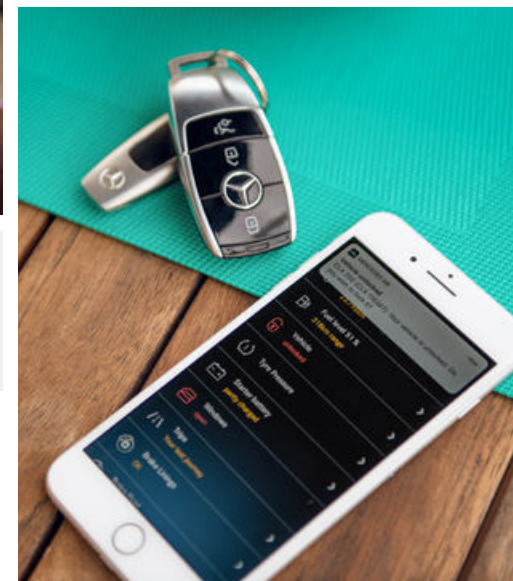


Live Traffic Information, Parked Vehicle Locator and much more with Mercedes me connect

Forgot where you've parked? Parked Vehicle Locator¹ will show you exactly where your car is as long as you're in a 1.5km radius of where you parked. Real-time traffic data and dynamic route with shorter journey times.

Comfort – connect to your car anytime, anywhere

Forgot to lock your car? With Remote Car Lock² you will receive a notification on your smartphone to let you know. With one tap, you can lock and unlock your vehicle so you never have to worry.



¹Available on all models with the Vehicle Monitoring package. This option may vary between standard and additional cost dependent on the model

²Part of the Vehicle Status package. This option may vary between standard and additional cost dependent on the model

Images shown are for illustration purposes only

Mercedes-Benz User Experience (MBUX)

Transforming the in-car user experience, thanks to MBUX: Controlled via voice, touch or gesture (where fitted) input, the innovative infotainment system can over time even predict personal habits thanks to artificial intelligence.

Voice control

- Activated by the keywords “Hey Mercedes”, the new intelligent voice control LINGUATRONIC¹ lets you control many of the infotainment functions, including destination input, phone calls or music selection
- MBUX is able to understand different accents and will adjust to you over time
- MBUX even understands indirect commands. Feeling chilly? Just say “I feel cold” and MBUX will adjust the temperature for you
- MBUX is able to understand which individual seat the request has come from, and will therefore only respond to their specific request (e.g. adjusting the temperature for just the front passenger)

Touch inputs

- Beside voice control you can operate MBUX via touchscreen, the touch controls on the centre console, as well as touch control buttons on the steering wheel

Personalisation

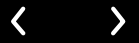
- Turn the new EQE into your very own Mercedes-Benz by personalising driving modes, radio stations, ambient lighting and much more
- Your personal settings can be saved in up to seven different profiles, making your driving experience the best one possible
- Thanks to artificial intelligence, MBUX is able to learn and adapt over time. It will be able to predict your personal habits, such as navigation for frequently-driven routes, or the radio station you like to listen to on your way home from work

Maintenance and service

- Wondering when the next service is due? Or how much further you can drive until you need to stop at a charging station? Just ask your MBUX – it will tell you the answer



¹LINGUATRONIC off-board functions are currently only available for three years



EQE
—

Safety

DIGITAL LIGHT High-definition headlamps with innovative features

The new innovative DIGITAL LIGHT headlamps works like a projector with more than one million pixels per headlamp and responds with brilliant light to changing traffic, road or weather conditions. Its ULTRA RANGE Highbeam with 650 m makes you feel like driving at daylight.

Standard with Premium Package (PDC) or Premium Plus Package (PDD)



Driving Assistance package and Driving Assistance package Plus Cares for what matters.

The new EQE comes with standard ground-breaking innovations in safety, comfort and driving functions, to help you stay safe on the road.

Driving Assistance package¹ (code P79) Standard with Advanced Plus Package (PDB)

Active Distance Assist DISTRONIC responds to stationary road users to prevent collisions up to 130 km/h

Active Lane Keeping Assist with enhanced comfort thanks to active steering intervention (instead of braking intervention) and additional hazard indication

Blind Spot Assist



Active Lane Keeping Assist

Driving Assistance package Plus¹ (code P20) Standard with Premium Package (PDC) or Premium Plus Package (PDD)

Active Blind Spot Assist expanded with blind spot monitoring towards the front and side. Additional hazard indication of the blind spot warning system as well as exit warning function

Active Brake Assist with cross-traffic function with turning manoeuvre function (responding to (among other things) crossing pedestrians when making a turn). Operating range on urban routes 120 km/h

Active Distance Assist DISTRONIC responds to stationary road users to prevent collisions up to 130 kph

Active Emergency Stop Assist: now able to assist in manual mode (previously on in DISTRONIC mode). Optional lane change by one lane (at 80 km/h where no obstacles detected)

Active Evasive Steering Assist: now responds to cyclists and ends of tailbacks in addition to pedestrians. Operating range on urban routes 110 km/h

Active Lane Keeping Assist with enhanced comfort thanks to active steering intervention (instead of braking intervention) and additional hazard indication

Active Speed Limit Assist ensures detected speed limits are automatically adopted as the set speed for Active Distance Assist DISTRONIC

Active Traffic Sign Assist

Congestion emergency braking function

Emergency corridor function

Exit warning function when hand moves towards the door handles

Extended automatic restart on motorways

Hazard display via ambience lighting

Increased availability and cornering performance on carriageways with **Active Steering Assist**, more stern warnings to put hands on the steering wheel with new capacitive steering wheel

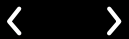
PRE-SAFE® PLUS and Impulse Side with body-raising function: when a rear-end collision threatens, PRE-SAFE® PLUS can initiate preventive measures, including warning following traffic and locking the brakes on standstill

Route-based speed adjustment with end of traffic jam function and Active Stop-and-Go Assist adaption of speed before curves, roundabouts and junctions with end of traffic jam function



Active Brake Assist

¹Our driver assistance and safety systems are aids and do not relieve you of your responsibility as the driver. Please take note of the information in the Owner's Manual and the system limits which are described therein

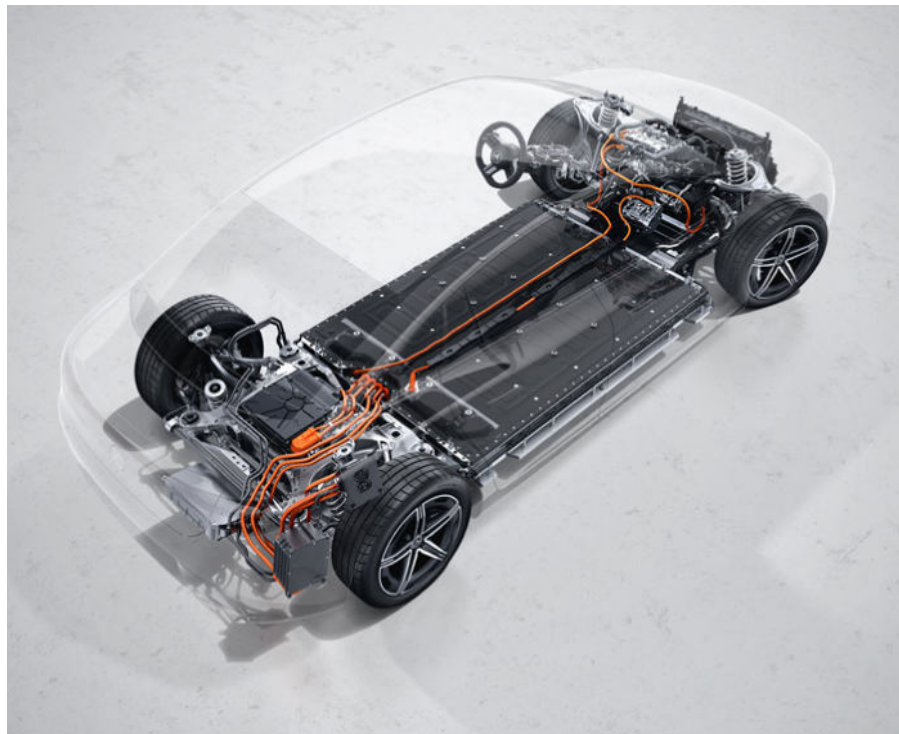


EQE

Mercedes-EQ



Vehement power immediately from standstill: An electric motor at the rear axle converts electrical into mechanical energy, and delivers impressive forward thrust. The intelligent operating strategy of the powertrain components supplies the power always wherever it is needed at the moment – efficiently and nearly silently.



EQE 300
245 hp - Electric range:
613 km - WLTP

EQE 350
286 hp - Electric range:
613 km - WLTP

EQE 350 4MATIC
292 hp - Electric range:
615 km - WLTP

EQE 500 4MATIC
354 hp - Electric range:
613 - 614 km - WLTP

MERCEDES-AMG 43 4MATIC
476 hp - Electric range:
503 km - WLTP

MERCEDES-AMG 53 4MATIC+
625 hp - Electric range:
501 km - WLTP

Standard equipment

Charging system – AC charging system rated at 11 kW AC

Comfort suspension

Charging system – DC charging system rated at 170 kW DC

Pre-entry climate control

Charging socket

Radar-based recuperation

Charging cable for wallbox and public charging stations, Type 2
(Mode 3) – 5 metres

Technical details

Charging time

Charging speed AC fast charge – 11 kW
80% charging time on AC charging^{3,4} Charging
speed DC rapid – 170 kW
10–80% charging time on DC rapid charging^{3,4}

8 hrs 30 mins

32 mins

Range power consumption, combined^{2,3}

183–171 Wh/km

Battery type (capacity)

lithium-ion (89 kWh)

Capacity on-board charger

11 kW AC; 170 kW DC

Attention



Please be aware that external factors such as weather, gradient and ambient temperature amongst others can significantly impact range.



Please also note that internal factors such as driving style and climate control settings etc. can also significantly impact range.

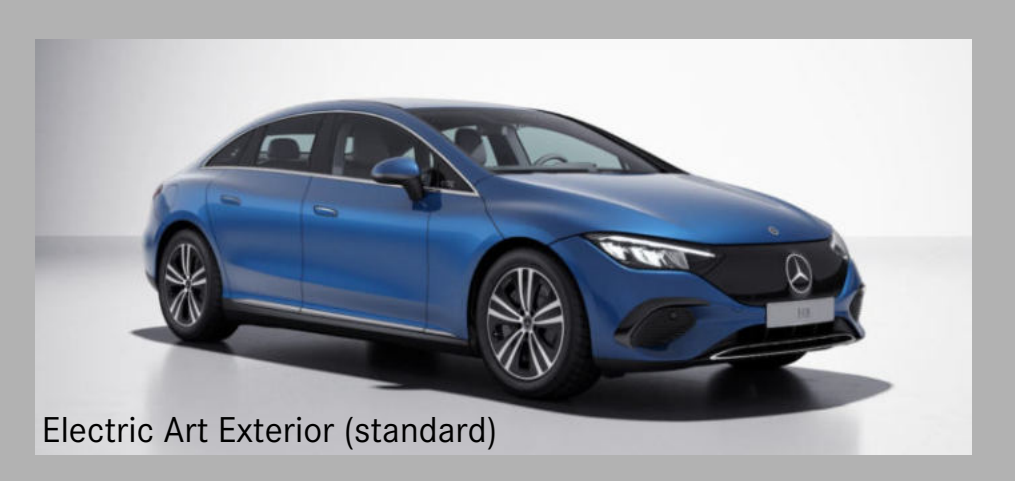


Using the pre-entry climate control when plugged into a charge point will ensure the perfect ambience and ensure that your car is just how you like it, as well as making sure that your battery isn't used unnecessarily to heat/cool the vehicle (maximising range).

Some of the model features, optional extras and colours shown may not be available, or may only be available in a different specification, or at a different price. ²Figures shown are for comparability purposes; only compare with other cars tested to the same technical procedures. Figures may not reflect real life driving results, which will depend upon a number of factors including the starting charge of the battery, factory-fitted options, accessories fitted (post registration), variations in weather, driving styles and vehicle load. ³Specified voltage and current values refer to network infrastructure and can be limited by the vehicle. Times are from 10-80% charge using public rapid charging at 110 kW. ⁴Specified voltage and current values refer to network infrastructure and can be limited by the vehicle. Times are from 10-100% charge using a wallbox (three-phase) or standard socket (single-phase) ⁵If you are planning to charge your Mercedes-Benz plug-in electric vehicle using a 3-pin domestic plug socket you must get a qualified electrician to inspect and sign off the socket to confirm it is safe and suitable to charge your vehicle.

Do not use an electric vehicle 3-pin charge cable with an extension cord.

< >
EQE Model lines overview



Electric Art Exterior (standard)



AMG Line Exterior

Standard equipment highlights



High specification as standard.

Adaptive High Beam Assist	Display Package	Metallic Paint	Seamless Door Handles
Comfort Seats	Heated Front Seats	Mirror Package	Smartphone Integration
Cup/Bottle Holder	Heated Rear Seats	PRE-SAFE System	Wireless Phone Charger

Trim and Upholstery

Leather - black / space grey (201A)



Laser-cut backlit trim with Mercedes-Benz pattern (51H)



Some of the model features, optional extras and colours shown may not be available, or may only be available in a different specification, or at a different price

Electric Art Exterior equipment highlights



Exterior

19" 5-twin-spoke light-alloy wheels painted in high-gloss black with a high-shine finish
(Code R39)

Electric Art exterior underlines the progressive character of your EQE to impressive effect: trim elements in chrome on the front and rear apron create expressive, elegant highlights. Black panel radiator grille with central Mercedes star, Front apron in the vehicle colour with chrome trim elements in the upper and lower sections, Side skirts painted in high-gloss black with door trim strips in chrome, Rear apron painted in the vehicle colour with lower section in grained black and trim element in chrome, Beltline and windowline trim strips in chrome



*Subject to vehicle specification and availability

AMG Line Exterior equipment highlights

*From €4,070



Exterior

19" AMG alloy wheels – 5-twin-spoke design, aerodynamically optimised, painted black with a high-sheen finish (code RRH)

AMG exterior styling – AMG front bumper painted in vehicle colour with A-wing in high-gloss black and trim in chrome, front splitter in high-gloss chrome with flics and fins at the left and right air inlets in high-gloss black with chrome trim. AMG rear apron painted in vehicle colour with diffuser-look inserts in high-gloss black, double trim strip in chrome and flics at the left and right air outlets in grained black. Side skirts painted in high-gloss black with insert in chrome

Privacy glass



*Subject to vehicle specification and availability

Electric Art Interior

equipment highlights

Standard Equipment



Parking package with reversing camera

Communications, Safety and Assistance Systems

- 12.3-inch digital instrument cluster display
- 12.8-inch media display
- Parking package with Parking Assist and reversing camera



Interior

With the Electric Art interior you can experience progressive luxury with all the senses. For the seat covers, for example, there is an optional choice of high-quality materials such as leather and nappa leather. Ambient lighting and shapely comfort seats with elegant contour lighting create a futuristic lounge ambience.

Ambient lighting – three dimming zones (all, ambient and accent), variable brightness setting, 64 colours and ten colour moods

Heated front seats

THERMATIC automatic climate control with two climate zones

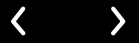
Roof liner in black fabric

Trim and Upholstery

Leather - black / space grey (201A)

Laser-cut backlit trim with Mercedes-Benz pattern (51H)





AMG Line Interior equipment highlights

*From €2,696



Parking package with reversing camera

Communications, Safety and Assistance Systems

- 12.3-inch digital instrument cluster display
- 12.8-inch media display
- Parking package with Parking Assist and reversing camera



Interior

- Air Quality package
- Ambient lighting – three dimming zones (all, ambient and accent), variable brightness setting, 64 colours and ten colour moods
- AMG brushed stainless steel sports pedals with black rubber studs
- AMG floor mats
- AMG multifunction sports steering wheel in nappa leather
- AMG sports seats in leather upholstery
- Dashboard and beltlines in grey ARTICO man-made leather with NEOTEX grain and red topstitching
- Heated front seats
- Roof liner in black fabric
- THERMATIC automatic climate control with two climate zones

Trim and Upholstery

- Leather - black / space grey (231A)
- Laser-cut backlit trim with Mercedes-Benz pattern (51H)



*Subject to vehicle specification and availability. Only Available with AMG Line Exterior

Electric Art Upholsteries

Electric Art Interior - Leather



Black/Space Grey (201A)
(Standard)



Neva Grey / Balao Brown (209A)
(Optional)

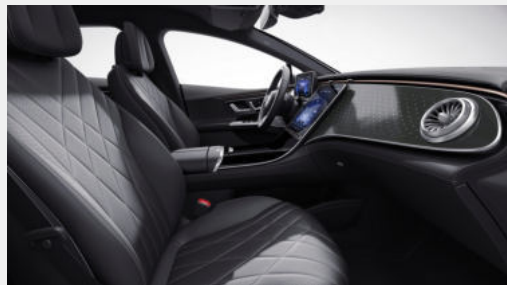


Black / Balao Brown (211A)
(Optional)



Neva Grey / Biscay Blue (219A)
(Optional)

Electric Art Interior - Nappa Leather



Black / Space Grey (801A)
(Optional)



Balao Brown / Black (804A)
(Optional)



Balao Brown / Neva Grey (814A)
(Optional)



Black / Biscay blue (821A)
(Optional)

AMG Line Upholsteries

AMG Line Interior - Leather



Black/Space Grey (231A)
(Standard)



Neva grey / Biscay blue (249A)
(Optional)

Trim options



Laser-cut backlit trim with Mercedes-Benz pattern (51H)
(Standard)



Brown open-pore wood trim with black print (01H)
(Option)



Anthracite linestructure lime wood trim (H08)
(Option)



Ship's deck open-pore maple wood trim (07H)
(Option)



Anthracite 3D relief-look trim (H67)
(Option)



AMG carbon-fibre trim (H73)
(Option)

Wheel options

19"



R39 (Standard Electric Art Exterior)

5-twin-spoke light-alloy wheels painted in high-gloss black with a high-sheen finish



RRH (Standard AMG Line Exterior)

AMG 5-spoke light-alloy wheels, aerodynamically optimised, painted in black with a high-sheen finish



65R (Option)

10-spoke light-alloy wheels with full-cover aero trim bicolour in black and silver

20"



59R (Option)

5-twin-spoke light-alloy wheels painted in high-gloss black with a high-sheen finish with aero elements in blue



60R (Option)

5-twin-spoke light-alloy wheels painted in high-gloss black with a high-sheen finish with aero elements in blue



R33 (Option)

5-twin-spoke light-alloy wheels, aerodynamically optimised, painted in high-gloss black with a high-sheen finish with black printing



R61 (Option)

5-spoke light-alloy wheels, painted in high-gloss black, with aero elements in a high-gloss chrome star-look finish

Wheel options

20"



RRM (Option)

AMG 5-spoke light-alloy wheels, painted in metallic vanadium silver with aero elements in matt tantalite grey



RRP (Option)

AMG 5-spoke light-alloy wheels, aerodynamically optimised, painted in black with a high-shine finish

21"



81R (Option)

5-twin-spoke light-alloy wheels, aerodynamically optimised, painted in high-gloss black with a high-shine finish



RWI (Option)

AMG multi-spoke light-alloy wheels, aerodynamically optimised, painted in black with a high-shine finish on the rim flange

Colour options EQE

● Standard X Option



149 polar white non-metallic

●



922 high tech silver metallic

●



885 MANUFAKTUR opalite white metallic

X



818 MANUFAKTUR graphite grey magno¹

X



197 obsidian black metallic

●



842 sodalite blue metallic

●



956 MANUFAKTUR alpine grey solid

X



831 graphite grey metallic

●



992 selenite grey metallic

●



993 MANUFAKTUR patagonia red metallic

X

¹MANUFAKTUR magno matt paint finishes require extra care. Please refer to the Owner's Manual for instructions. Please note that, owing to limitations of on-screen representation, paint colours may differ from those shown.

Advanced Plus Package From¹ €6,615

Ambient Lighting: in addition to the standard interior Ambient Lighting...

- Contour lighting of the seats
- Dynamic mode: the colours alternate slowly
- Emotively appealing animations: welcome display or feedback in colour when adjusting the air conditioning
- When plugging in the charging cable, each state of charge is visualised for approx. 30 seconds, similar to the LED in the vehicle socket

Assistance Package: reach your destination relaxed and safe: based on the situation, the assistance systems of this package support you with speed adjustment, observing the required distance, staying in lane and changing lane. The accident risk is reduced – your passengers and other road users are protected effectively.

Illuminated Door Sills with "Mercedes-Benz" Lettering

KEYLESS-GO: puts an end to searches for the vehicle key. As soon as the convenience system detects your key in the immediate vicinity of the vehicle, the flush-fitting door handles automatically extend. When you drive off or lock the doors, they retract and are elegantly integrated into the side design – a clear technical and visual advantage for you.

Memory Package: you can store and select up to 3 different seat positions. In addition, the positions of the steering wheel, exterior mirrors and the optional head-up display are stored.

Stowage Compartment Beneath Centre Console



¹Price and availability subject to vehicle specification
Owing to supply shortages, options for vehicles may be temporarily restricted, resulting in modified vehicle and/or package pricing. Regularly updated information on this issue is available from Mercedes-Benz dealers.

Premium Package From¹ €12,637

In addition to/replacement of Advanced Plus Package components

Active Ambient Lighting: in addition to the standard interior Ambient Lighting...

High-quality matt-white line as part of the lamellar trim element with a total of approx. 190 integrated and individually controllable LEDs

- Diverse colour moods, also with static or multicolour animated colour worlds
- Driving assistance systems are also included and are supported visually
- Outline of electric driving: drive, recuperation, boost
- Emotively appealing animations: welcome display or feedback in colour when adjusting the air conditioning or interaction with the voice control

Driving Assistance Plus Package: Safely takes you to your destination feeling relaxed: thanks to the modern, intelligently networked sensor systems, you can enjoy the many benefits of semi-automated driving.

DIGITAL LIGHT: you can experience brilliant lighting conditions – constantly adjusted to other road users and to the surroundings. This HD system works like a projector and responds with constantly adapted light to changing traffic, road or weather conditions.

- HD system with projection module (more than 1.3 million pixels per headlamp) and MULTIBEAM LED background module
- With data from the camera, sensors and navigation system, the brightness value for each individual pixel is calculated virtually in real time
- Adaptive Highbeam Assist Plus (anti-dazzle continuous high beam)
- ULTRA RANGE Highbeam with nearly legally permitted maximum headlamp range

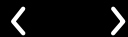
MBUX Augmented Reality for Navigation

Parking Package with 360 degree Camera



¹Price and availability subject to vehicle specification

Owing to supply shortages, options for vehicles may be temporarily restricted, resulting in modified vehicle and/or package pricing. Regularly updated information on this issue is available from Mercedes-Benz dealers.



Premium Plus Package From¹ €18,827

In addition to/replacement of Premium Package components.

Burmester 3D Surround Sound System: Experience greater audio performance with exquisite Burmester® sound. The high-quality speakers achieve impressive surround sound. You can specifically optimise this for the front and rear seats to intensify the listening experience. In addition the specially designed Sound Experience reinforces your electric driving experience in the interior.

- 15 high-performance speakers tuned to match the vehicle interior and each with its own amplifier channel
- DSP amplifier with a total output of 710 watts (2 x 120 watts, 7 x 50 watts, 6 x 20 watts)

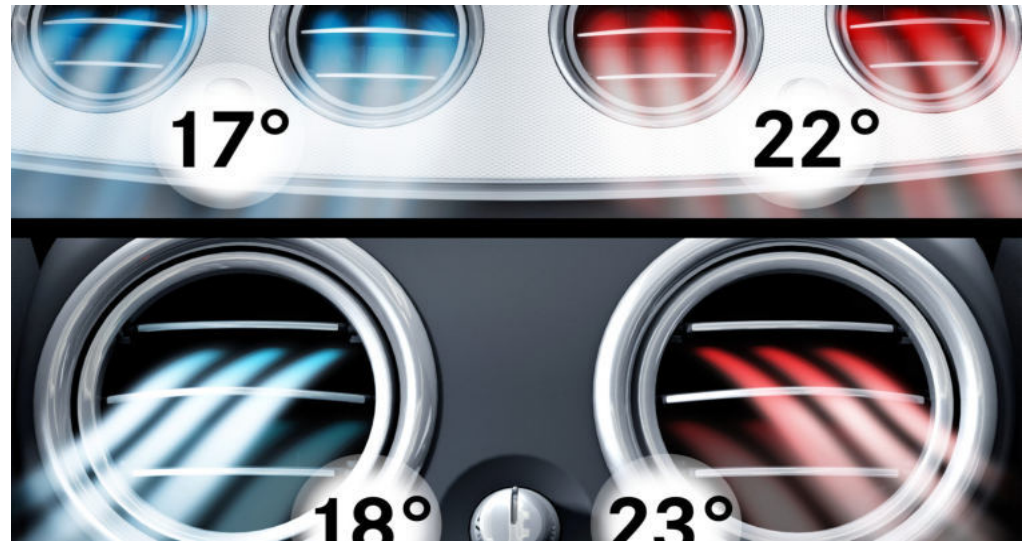
DIGITAL LIGHT with Projection Function: in addition to Digital Light features...

- Projection function for lines, for example as guide lines in roadworks
- Projection function for symbols, e.g. as a direction symbol for lane correction when departing from the lane
- Projection function for animations, light shows when opening and closing the vehicle

Head-up Display: Ideal prospects for sporty driving pleasure and a superior driving experience: The head-up display transforms your windscreen into a digital cockpit. With the virtual, full-colour image, you always have a direct view of key information. Your full attention remains on the road and the traffic conditions in front of you.

THERMOTRONIC 4 Zone Climate Control

USB Package Plus: Fast power supply for a smartphone or tablet: You and your passengers can conveniently charge mobile devices at a total of 6 USB-C ports. All onboard USB ports also have a fast-charging capability. Using devices connected in the front, you can also feed data such as your stored music into the multimedia system.



¹Price and availability subject to vehicle specification
Owing to supply shortages, options for vehicles may be temporarily restricted, resulting in modified vehicle and/or package pricing. Regularly updated information on this issue is available from Mercedes-Benz dealers.

Night Package

From¹ €1,951

With the Night Package, your sporty exterior looks even more expressive. In this case, numerous features have a black or black chrome finish. Depending on the paint finish, this creates contrasts or smooth transitions. Regardless of how, it's always a clear plus for your individuality.

Components:

- Outside mirror housings in black
- Beltline and windowline trim strips in black
- Heat-insulating dark tinted glass from the B-pillar to the rear, optional omission of heat-insulating dark tinted glass
- Door trim strips in black chrome

For Electric Art Exterior...

- Upper and lower trim element of the front apron in black chrome
- Trim element of the rear apron in black chrome
- 20-inch 5-twin-spoke light-alloy wheels (R33), aerodynamically optimised, paint in high-gloss black with a high-sheen finish

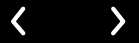
For AMG Line Exterior...

- Trim parts on the A-wing and front splitter in black chrome
- Trim element on the rear apron with two louvres each left and right in black chrome



¹Price and availability subject to vehicle specification

Owing to supply shortages, options for vehicles may be temporarily restricted, resulting in modified vehicle and/or package pricing. Regularly updated information on this issue is available from Mercedes-Benz dealers.



MERCEDES-AMG 43 4MATIC Power = 476 hp
Electric range: 503 km WLTP

MERCEDES-AMG 53 4MATIC+ Power = 625 hp
Electric range: 501 km WLTP



EQE

Mercedes-AMG

Technical data

- Standard

Model	EQE300	Mercedes-AMG EQE 53 4MATIC+
Motor		
Battery type	lithium-ion high-voltage	lithium-ion high-voltage
Electric motor type	asynchronous	asynchronous
Battery capacity	kWh 89	96
Power ¹	hp (kW) 245 (180)	625 (460)
Torque ¹	Nm at rpm 565/3,559	950/4,639
On-board charger	11 kW AC; 170 kW DC	11 kW AC; 170 kW DC
Emissions standard	EU6	EU6

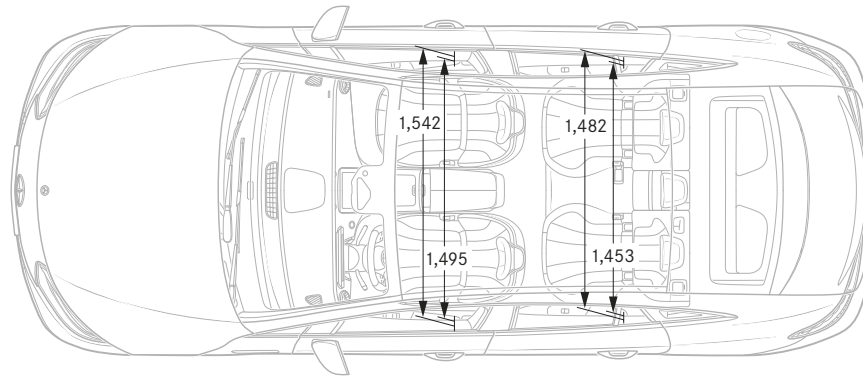
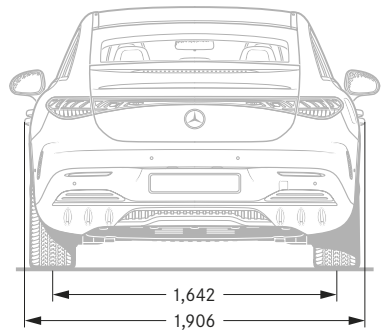
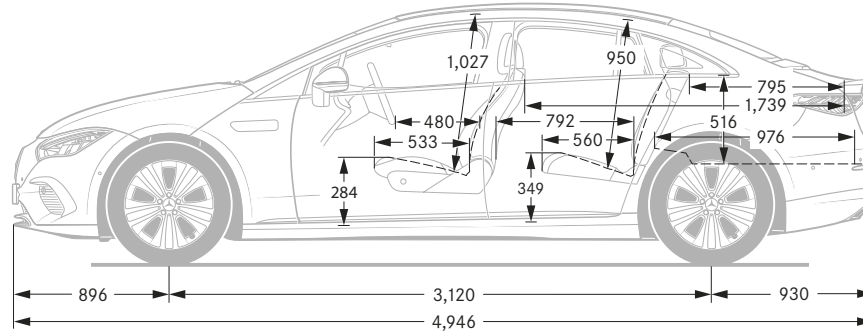
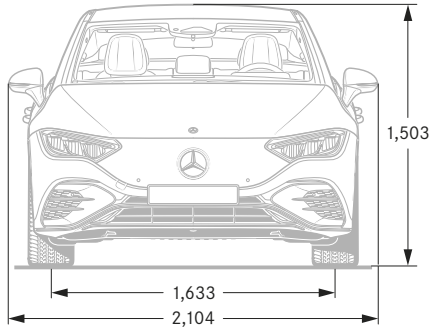
Transmission		
Single-speed automatic	●	●

Performance		
Acceleration 0- 100 km/h	sec 6.4	3.5
Top speed	kph 210	220
Charging time		
Charging speed AC fast charge – 11 kW		
80% charging time on AC charging ^{3,4}	8 hrs 30 mins	8 hrs 30 mins
Charging speed DC rapid – 170kW		
10–80% charging time on DC rapid charging ^{3,4}	32 mins	32 mins
Range power consumption combined ^{4,5}	Wh/km 183–171	232–203

Model	EQE300	Mercedes-AMG EQE 53 4MATIC+
Weights and capacities		
Kerb weight ⁵	kg 2,355	2,525
Perm. Gross Vehicle Weight	kg 2,880	3,095
Boot capacity – seats up/down	l 430/895	570
Turning circle	m 12.5	12.4

¹Figures according to Regulation (EC) No. 595/2009 in the currently applicable version ²Specified voltage and current values refer to network infrastructure and can be limited by the vehicle. Times are from 10–100% charge using a wallbox (three-phase) or standard socket (single-phase) ³If you are planning to charge your Mercedes-Benz plug-in electric vehicle using a 3-pin domestic lug socket you must get a qualified electrician to inspect and sign off the socket to confirm it is safe and suitable to charge your vehicle. Do not use an electric vehicle 3-pin charge cable with an extension cord ⁴Figures shown are for comparability purposes; only compare with other cars tested to the same technical procedures. Figures may not reflect real life driving results, which will depend upon a number of factors including the starting charge of the battery, factory-fitted options, accessories fitted (post registration), variations in weather, driving styles and vehicle load Specified voltage and current values refer to network infrastructure and can be limited by the vehicle. Times are from 10–80% charge using public rapid charging at 100kW ⁵Mass of the vehicle in running order with at least 90% full fuel tank, plus the mass of the driver (estimated by law at 75 kg), fuel and fluids, equipped with the standard equipment as specified by the manufacturer as well as, where applicable, the mass of the body, cab, trailer coupling and spare wheel(s) as well as tools. Optional extras, additional equipment and accessories can influence the weight, residual payload, rolling resistance, aerodynamics, etc., and therefore also affect the consumption/CO₂ values

EQE 300





Mercedes me

Welcome to your Mercedes-Benz world.

Imagine if ...you could connect with your Mercedes-Benz? With Mercedes me connect, you can! Mercedes me connect offers you new connectivity services that make driving more comfortable and incorporates your car into your personal lifestyle.

Standard Services

- Maintenance Management
- Telediagnosics
- Breakdown Management
- Accident Recovery
- Mercedes-Benz Emergency Call System

Remote Online Services¹

- Remote Retrieval of Vehicle Status (fuel level, tyre pressure etc.)
- Parked Vehicle Locator
- Vehicle Tracker
- Geofencing
- Door lock / unlock function


¹ Can be used with Remote Online special feature.





Getting connected is easy. Just set up your Mercedes me account and get in touch with your Mercedes-Benz dealer to connect your vehicle to your profile to access your Mercedes me connect services.


Contact your dealer to get connected, or go to www.mercedes.me for more details.


Follow us on the following social media channels:


 facebook.com/MercedesBenzIreland

 instagram.com/mercedesbenz_ireland

 [linkedin.com/company/motor distributors ltd](https://linkedin.com/company/motor-distributors-ltd)

 twitter.com/MB_IRELAND

 youtube.com/mercedesbenzireland

 pinterest.com/mercedesbenzire

Motor Distributors Ltd.
Naas Road
Dublin 12
Ireland
www.mercedes-benz.ie

Information correct at time of going to print. Prices and specifications are subject to change without prior notice. Prices quoted do not include dealer and delivery related charges. Images are for illustrative purposes only, actual product may vary. For more specific information in relation to the range of models, features, optional extras, colours and services available please speak to your local authorised Mercedes-Benz dealer.