



The new GLC SUV

Price List from 1st January to 31st March 2025

Mercedes-Benz



Welcome

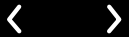
At Mercedes-Benz we appreciate the importance of detail. Over the following pages you'll find model prices and a breakdown of standard and optional equipment, as well as details of the attractive finance offers and benefits that are available to every Mercedes-Benz driver.

We have highlighted some of the best styling features both inside and out, some of the new technology features and some body styling options which all combine to give you a unique driving experience. To experience a full listing of what is available; please speak directly to your local Mercedes-Benz Dealer.

Of course, some things have to be experienced to be truly appreciated, such as the qualities that set a Mercedes-Benz apart, which is why we'd like to invite you for a test drive at your local Mercedes-Benz Dealership. Discover the location and the contact details of your local Mercedes-Benz Dealership at www.mercedes-benz.ie



Some of the model features, optional extras and colours shown may not be available, or may only be available in a different specification, or at a different price.



Some of the model features, optional extras and colours shown may not be available, or may only be available in a different specification, or at a different price.

Model prices

Petrol

Model Description	CO2	VRT Rate	Road Tax	CC	BHP	Price*
GLC 300 4MATIC AMG Line Plus	156 - 170	30.00%	€420	1999	258	€92,225
GLC 300 4MATIC AMG Line Plus	171 - 190	35.00%	€600	1999	258	€98,480

Petrol Plug In Hybrid

Model Description	CO2	VRT Rate	Road Tax	CC	BHP	Price*
GLC 300 e 4MATIC AMG Line Plus	1-50	7.00%	€140	1999	204	€90,320
GLC 300 e 4MATIC AMG Line Plus	51 - 80	9.00%	€150	1999	204	€92,130
GLC 400 e 4MATIC AMG Line Plus	1-50	7.00%	€140	1999	252	€94,110
GLC 400 e 4MATIC AMG Line Plus	51 - 80	9.00%	€150	1999	252	€96,000
** 1,999cc, 4-cylinder + Electric Motor, System Output 313 hp						
*** 1,999cc, 4-cylinder + Electric Motor, System Output 381 hp						

*Prices applicable to all models registered from 1st January to 31st March 2025 . Subject to availability. Terms & Conditions apply. Prices quoted do not include dealer and delivery related charges.

Owing to supply shortages, options for vehicles may be temporarily restricted, resulting in modified vehicle and/or package pricing . Regularly updated information on this issue is available from Mercedes-Benz

Model prices

Diesel

Model Description	CO2	VRT Rate	Road Tax	CC	BHP	Price*
GLC 220 D 4MATIC AMG Line Plus	136 - 140	20.00%	€210	1993	197	€78,030
GLC 220 D 4MATIC AMG Line Plus	141 - 145	21.50%	€270	1993	197	€79,370
GLC 300 D 4MATIC AMG Line Plus	146 - 150	25.00%	€270	1993	269	€89,335
GLC 300 D 4MATIC AMG Line Plus	171 - 190	35.00%	€600	1993	269	€101,455

Diesel Plug In Hybrid

Model Description	CO2	VRT Rate	Road Tax	CC	BHP	Price*
GLC 300 de 4MATIC AMG Line Plus	1-50	7.00%	€140	1993	197	€92,020
GLC 300 de 4MATIC AMG Line Plus	51 - 80	9.00%	€150	1993	197	€93,865
** 1,993cc, 4-cylinder + Electric Motor, System Output 333 hp						

*Prices applicable to all models registered from 1st January to 31st March 2025 . Subject to availability. Terms & Conditions apply. Prices quoted do not include dealer and delivery related charges.

Owing to supply shortages, options for vehicles may be temporarily restricted, resulting in modified vehicle and/or package pricing . Regularly updated information on this issue is available from Mercedes-Benz

Model prices

Mercedes-AMG

Model Description	CO2	VRT Rate	Road Tax	CC	BHP	Price*
Mercedes-AMG GLC C43 4MATIC+	191 - 600	41.00%	€2,400	1991	421	€126,340
Mercedes-AMG GLC C63 S E Performance	156 - 170	30.00%	€420	1991	476	€176,895
** 1,991cc, 4-cylinder + Electric Motor, System Output 680 hp						

*Prices applicable to all models registered from 1st January to 31st March 2025 . Subject to availability. Terms & Conditions apply. Prices quoted do not include dealer and delivery related charges.

Owing to supply shortages, options for vehicles may be temporarily restricted, resulting in modified vehicle and/or package pricing . Regularly updated information on this issue is available from Mercedes-Benz



GLC

Technology

Mercedes-Benz User Experience (MBUX)

Transforming the in-car user experience, thanks to MBUX: Controlled via voice or touch input, the innovative infotainment system can over time even predict personal habits thanks to artificial intelligence.

Voice control

- Activated by the keywords “Hey Mercedes”, the new intelligent voice control LINGUATRONIC¹ lets you control many of the infotainment functions, including destination input, phone calls or music selection
- MBUX is able to understand different accents and will adjust to you over time
- MBUX even understands indirect commands. Feeling chilly? Just say “I feel cold” and MBUX will adjust the temperature for you

Touch inputs

- Beside voice control you can operate MBUX via touchscreen or the touch control buttons on the steering wheel

Personalisation

- Turn the GLC into your very own Mercedes-Benz by personalising driving modes, radio stations and much more
- Your personal settings can be saved in up to seven different profiles, making your driving experience the best one possible
- Thanks to artificial intelligence, MBUX is able to learn and adapt over time. It will be able to predict your personal habits, such as navigation for frequently-driven routes, or the radio station you like to listen to on your way home from work

Maintenance and service

- Wondering when the next service is due? Or how much further you can drive until you need to stop at a petrol station? Just ask your MBUX – it will tell you the answer



¹LINGUATRONIC off-board functions are currently only available for three years

Mercedes me connect

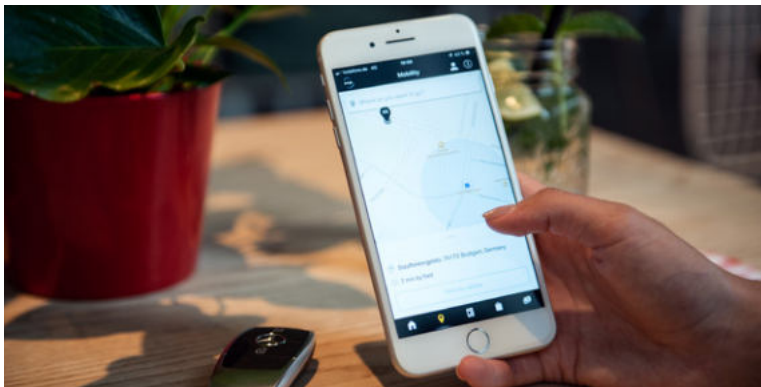
Stay connected any time, anywhere.

Mercedes *me*

Mercedes me is a range of innovative online services designed to enhance your Mercedes-Benz experience. Accessible via mobile, tablet or PC, Mercedes me lets you enjoy the highest standards of care and support, in a way that integrates seamlessly with your busy lifestyle.

Safety and Service – Mercedes me connect helps to keep you and your car safe

Check your car's washer fluid level, tyre pressure and battery level from your phone so you'll be ready for every journey.



Live Traffic Information, Parked Vehicle Locator and much more with Mercedes me connect

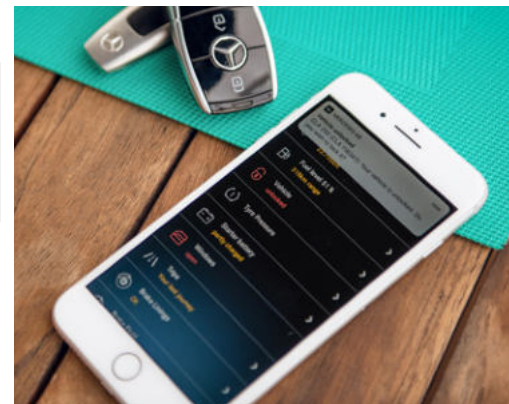
Forgot where you've parked? Parked Vehicle Locator¹ will show you exactly where your car is as long as you're in a 1.5 km radius of where you parked. Real-time traffic data and dynamic route with shorter journey times.

Comfort – connect to your car anytime, anywhere

Forgot to lock your car? With Remote Car Lock² you will receive a notification on your smartphone to let you know. With one tap, you can lock and unlock your vehicle so you never have to worry.

EQ-specific Services

Check your charging status on the go and programme your pre-entry climate control and charging settings remotely. The EQ-specific navigation considers electrical range, topography and charging stations.



¹Available on all models with the Vehicle Monitoring package. This option may vary between standard and additional cost dependent on the model

²Part of the Vehicle Status package. This option may vary between standard and additional cost dependent on the model

Images shown are for illustration purposes only

< >

GLC

Plug-in Hybrid



Plug-in Hybrid Electric Vehicles (PHEVs)

Plug-in hybrid vehicles enjoy the same functionality of full Hybrid technology, with the added benefit that they can be charged from an external electricity source.

GLC 300e 4MATIC

Petrol – 1,999 cc, 4-cylinder, 201 hp/ 150 kW
Electric motor – 134 hp/ 100 kW

GLC 400e 4MATIC

Petrol – 1,999 cc, 4-cylinder, 252 hp/ 150 kW
Electric motor – 134 hp/ 100 kW

GLC 300de 4MATIC

Diesel – 1,993 cc, 4-cylinder, 194 hp/ 145 kW
Electric motor – 134 hp/ 100 kW

Standard equipment

Charging cable – Mode 3 cable (4 metres, straight) for wallbox and public charging stations

Charging socket

Charging system – AC charging system rated at 11 kW AC

Pre-entry climate control

Radar-based recuperation

Remote and Charging Services Plus

Technical details

Equivalent All-Electric Range (EAER) ²	up to 129 km
Charging time – wallbox (11 kW AC) 10–100% ³	2 hrs 30 mins
Range power consumption, combined ^{2,4}	20.4–22.5 kWh/100 km
Battery type (capacity)	lithium-ion (31.2 kWh)
Capacity on-board charger	11 kW AC

Some of the model features, optional extras and colours shown may not be available, or may only be available in a different specification, or at a different price. ²The indicated values were determined according to the prescribed measurement method – Worldwide Harmonised Light Vehicle est Procedure (WLTP). Figures shown may include options which are not available in Ireland. For Plug-in Hybrid Electric Vehicle (PHEV) figures determined with the battery fully charged, using a combination of both battery power and fuel. These models require mains electricity for charging. ³Specified voltage and current values refer to network infrastructure and can be limited by the vehicle. Times are from 10–100% charge using a wallbox (three-phase) or standard socket (single-phase). ⁴The certified electrical consumption is generally determined at maximum AC charging capacity using a Mode 3 cable. It is therefore recommended that vehicles with a HV battery preferably be charged at a wallbox or an AC charging station with a Mode 3 cable in order to achieve shorter charging times and improved charging efficiency.



GLC Model lines overview

AMG Line Plus »



Option shown: spectral blue metallic (code 970)

GLC AMG Line Plus Standard equipment highlights



Option shown: spectral blue metallic (code 970)

Engine, Transmission and Suspension

DYNAMIC SELECT with a choice of driving modes

9G-TRONIC PLUS 9-speed auto



LED High Performance headlamps



Mirror package

Exterior

19" AMG alloy wheels – 5-spoke design, aerodynamically optimised, painted grey with a high-sheen finish (code RRH/RRD)

AMG Line Exterior package

AMG diffuser-look rear apron with insert in black

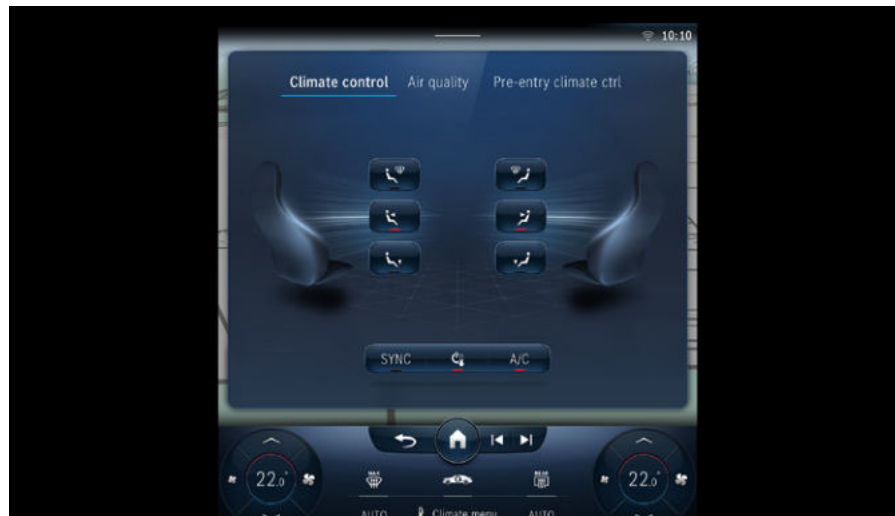
Diamond radiator grille

LED High Performance headlamps including integral LED daytime running lamps and Adaptive Highbeam Assist

Mirror package – electrically folding exterior mirrors and automatically-dimming driver's side mirror and rear-view mirror

Privacy glass





Interior

Ambient lighting – 64 colours, ten colour moods and four dimming zones

AMG Line Interior package

ARTICO man-made leather dashboard with contrast stitching

Boot Comfort package

Floor mats in black with 'AMG' lettering

Roof liner in black fabric

Seats – sports seats including comfort package and heated front seats

Memory package – driver's seat, front passenger seat, steering column – electrically adjustable with memory. Includes exterior mirror with parking position

Steering wheel – multifunction sports steering wheel in black nappa leather with galvanised gearshift paddles and onboard settings control

THERMATIC – automatic climate control, two-zone

Communications, Safety and Assistance Systems

11.9-inch media display

12.3-inch instrument cluster

Blind Spot Assist

Fingerprint scanner

Hard-disk navigation with navigation services

MBUX multimedia system with DAB digital radio

MBUX navigation premium

MBUX voice control activated by keywords "Hey Mercedes"

Smartphone integration¹

USB package

Wireless charging¹

¹Compatible mobile phone required

Trim and Upholstery

Metal structure trim element



ARTICO man-made leather – black



Upholstery



111A ARTICO man-made leather – black (Standard)



118A ARTICO man-made leather – neva grey/black (Optional)



194A ARTICO man-made leather – sienna brown/black (Optional)

Upholstery



211A Leather – black (Optional)



294A Leather – sienna brown/black (Optional)



297A Leather – power red/black (Optional)

Upholstery



801A Nappa Leather – black (Optional)



804A Nappa Leather – sienna brown/black (Optional)

Trim



Metal structure trim element (H64) - Standard



Silver grey diamond-pattern trim (H50) - Optional



Brown open-pore walnut wood trim (H33) - Optional



Anthracite line structure lime wood trim (H08) - Optional



Black open-pore aluminum lines wood trim (H04) - Optional



Brown high-gloss ash wood trim (H03) - Optional

Colour options

Non-metallic, metallic and MANUFAKTUR paints



040 black non-metallic

Standard



970 spectral blue metallic

Option



992 selenite grey metallic

Option



799 MANUFAKTUR opalite white bright

Option



197 obsidian black metallic

Option



859 mojave silver metallic

Option



149 polar white non-metallic

Option



996 MANUFAKTUR Patagonia red metallic

Option



595 nautic blue metallic

Option



922 high-tech silver metallic

Option



956 MANUFAKTUR paint colour alpine grey solid

Option



831U MANUFAKTUR graphite grey metallic

Option

Please note that, owing to limitations of on-screen representation, paint colours may differ from those shown

Metallic paint is a no cost option for PHEV models only. MANUFAKTUR paint not included.

Premium Package

- **Digital Light:** adds intelligent features such as Adaptive Highbeam Assist Plus as well as ULTRA RANGE high beam and topography compensation to the familiar adaptive LED headlamp equipment.
- **Heat & Noise-insulating Acoustic Glass:** The glass of the windscreen and the front side windows is fitted with a special acoustic film. This replaces the conventional plastic intermediate layer in laminated safety glass. The acoustic glass is specially optimised to dampen high-frequency wind noise and predominantly low-frequency engine noise. For a pleasantly quiet journey.
- **Keyless GO Comfort Package:** Maximum comfort for your everyday driving: with the KEYLESS-GO Convenience Package, you can start and lock your vehicle simply by carrying the key. The HANDS-FREE ACCESS function allows contactless, fully automatic opening and closing of the tailgate.
- **Parking Package with 360° Camera & Transparent Bonnet:** Manoeuvre confidently and avoid obstacles safely - even in rough terrain: this function makes the bonnet transparent for you when driving off-road. A virtual view, calculated from camera images, shows the area directly in front of your Mercedes. In addition, a visualisation of the lane helps to choose the optimal driving path.



¹Price and availability subject to vehicle specification and VRT rate.
Owing to supply shortages, options for vehicles may be temporarily restricted, resulting in modified vehicle and/or package pricing . Regularly updated information on this issue is available from Mercedes-Benz dealers.

Premium Plus Package

In addition to Premium Package components...

- **Burmester® 3D surround sound system with 15 speakers and output of 710 watts**
- **Digital Light incl. Projection:** The projection functions can enrich your driving experience with guide lines, symbols and animations and make it safer. For example, DIGITAL LIGHT projects two guide lines in roadworks. This marking approximately represents the width of the vehicle. This way you are able to get better guidance in the narrow roadway. The intelligent technology highlights pedestrians in the danger zone with a spotlight function and illustrates their position with projected direction points. To prevent you from driving against the correct direction of traffic, a warning symbol signals if you are travelling in the opposite direction to that permitted, as can happen on motorway slip roads or one-way streets. The same symbol also warns you of running red lights or stop signs.
- **Head-up display:** The best outlooks for sporty driving pleasure and a superior driving experience: the head-up display transforms your windscreen into an exciting digital cockpit. This means you always have a direct view of key information. Your full attention remains on the road and the traffic conditions in front of you.
- **Panoramic Sunroof**
- **THERMOTRONIC quad zone climate control**



¹Price and availability subject to vehicle specification and VRT rate.

Owing to supply shortages, options for vehicles may be temporarily restricted, resulting in modified vehicle and/or package pricing. Regularly updated information on this issue is available from Mercedes-Benz dealers.

Night Package

The Night Package adds visual attractions: many exterior elements are finished in black. They underscore the sporty character and special individuality of your vehicle. And as such you can demonstrate your sense of expressive design and exclusive sportiness.

Components of the Night Package:

- AMG front apron with simulated underguard in high-gloss black
- Beltline trim strip and window weatherstrip in high-gloss black
- Outside mirror housings painted in high-gloss black
- Roof rails in matt black
- Rear apron and diffuser in black
- Radiator grille with Mercedes-Benz pattern and louvre in high-gloss black



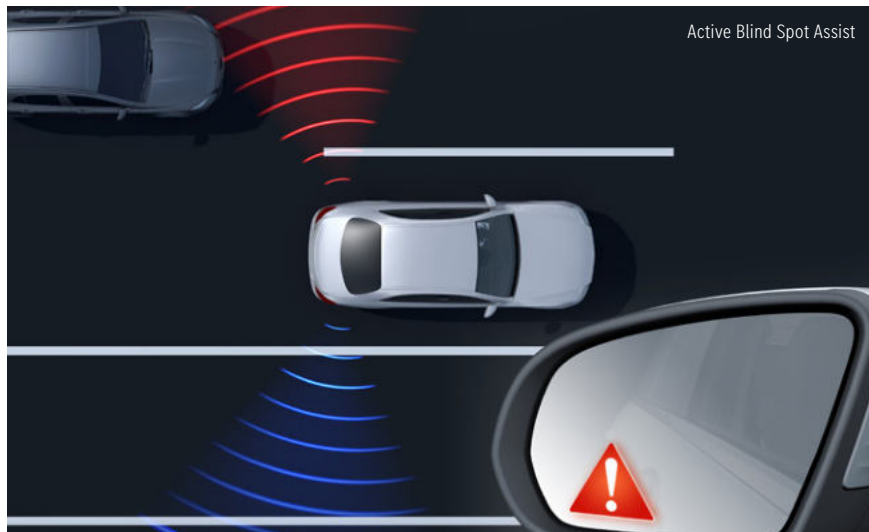
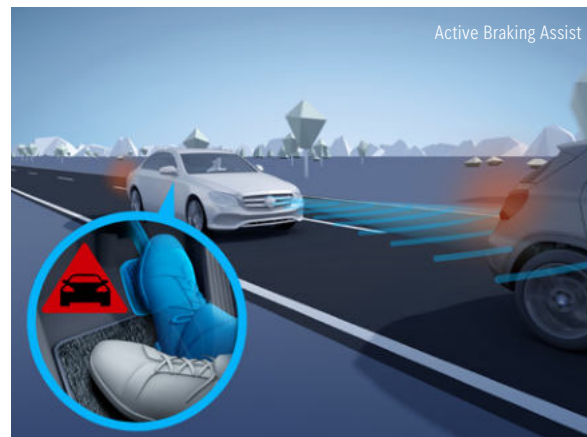
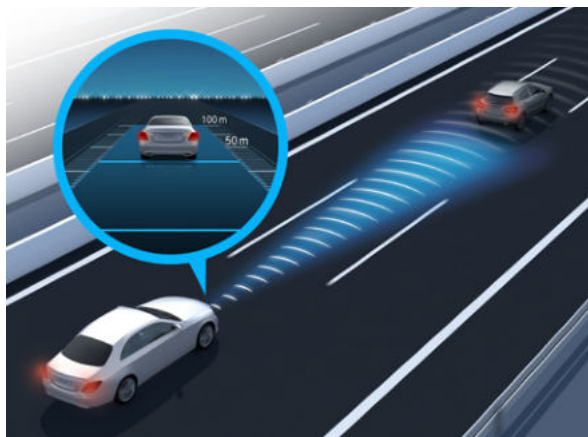
¹Price and availability subject to vehicle specification and VRT rate.

Owing to supply shortages, options for vehicles may be temporarily restricted, resulting in modified vehicle and/or package pricing. Regularly updated information on this issue is available from Mercedes-Benz dealers.

Driving Assistance package Plus

The Driving Assistance package Plus¹ contains a range of highly intelligent features to help you stay safe on the road – by making the drive more effortless, by warning of danger, and by taking steps to protect you in an emergency.

Driving Assistance package Plus¹ (code P20) – designed and priced as a package, including items as listed.



Active Blind Spot Assist can warn the driver of vehicles in the blind spot during a lane change and can help to avoid a collision by means of one sided braking intervention.

Active Braking Assist with cross traffic function can help to avoid accidents with vehicles ahead, crossing traffic and also pedestrians, and/or mitigate their consequences.

Active Distance Assist DISTRONIC relieves the strain on the driver and provides support in both flowing and stop and go traffic. The intelligent system controls the distance from the vehicle in front, adapts the driving speed to what is happening en route and takes on the demanding task of following a queue or traffic jam

Active Lane Change Assist supports you by bringing you into the parallel lane if there is space when changing lanes.

Active Speed Limit Assist helps you to observe the stipulated maximum permissible speed, even in unclear situations. A camera detects maximum permissible speeds, which Active Distance Assist DISTRONIC automatically adopts and sets as the speed for enhanced safety and comfort when driving.

Evasive Steering Assist can support the driver in making evasive manoeuvres if, in a dangerous situation, he/she moves to avoid any pedestrian detected by the system

PRE SAFE® can prepare the occupants for a side on collision and reduce the risk of injury. Like a bodyguard, it pushes the driver or front passenger away from the danger zone towards the inside.

PRE SAFE® PLUS when a rear end collision threatens, PRE SAFE PLUS can initiate preventive measures, including warning following traffic and locking the brakes on standstill.

¹Our driver assistance and safety systems are aids and do not relieve you of your responsibility as the driver. Please take note of the information in the Owner's Manual and the system limits which are described therein

*Price, components and availability subject to vehicle specification

Trailer coupling with ESP® trailer stabilisation

Trailer coupling with ESP trailer stabilisation (code 550)

Available on all models

Expand your transport options: with this practical equipment you can hitch up both trailers or caravans and also mount cycle racks. The trailer coupling is ready for use in no time at all – and can be folded in again behind the rear bumper just as quickly when it is no longer needed.

Operating safety is the top priority: to fold out the trailer coupling, you must first unlock it via the control button in the boot. As soon as the button light goes out, the trailer coupling is correctly engaged and is therefore ready for use.

Even when driving you can benefit from a comprehensive safety concept: the ESP® trailer stabilisation is able to intervene automatically in critical situations when driving with a trailer. The associated sensor system detects the trailer independently as soon as the electric plug is connected to your vehicle.

The ESP® stabilisation functions are automatically active from a speed of 40 mph. When undesired oscillating motions are detected, the Trailer Stability Assist actively dampens these with the aid of alternate brake actuation of each individual wheel. In most cases this is already sufficient to reduce dangerous oscillations. If necessary, the system additionally reduces the speed: for this, the engine torque is reduced and the vehicle is braked via all four wheels.



Technical data

- Standard

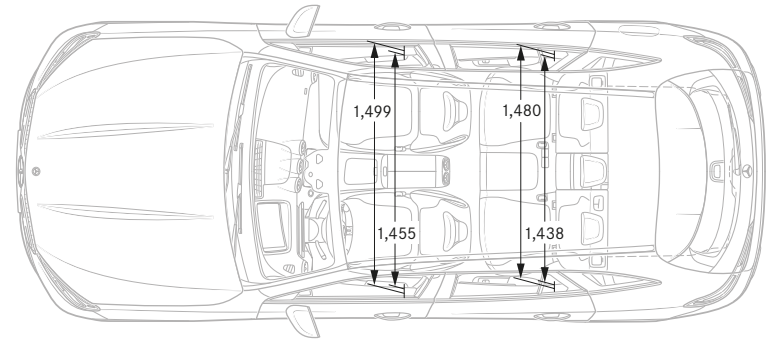
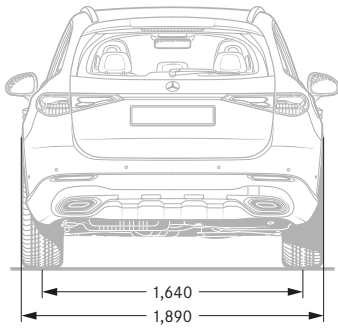
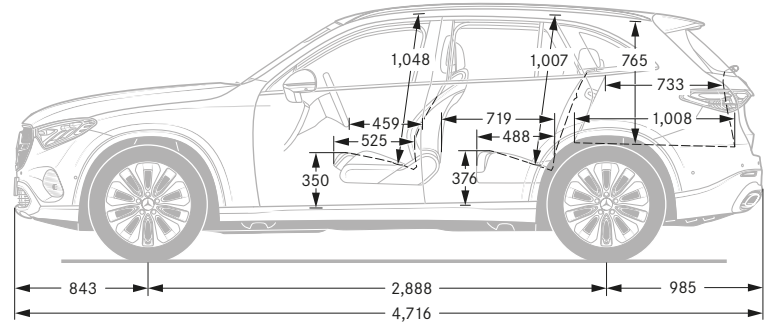
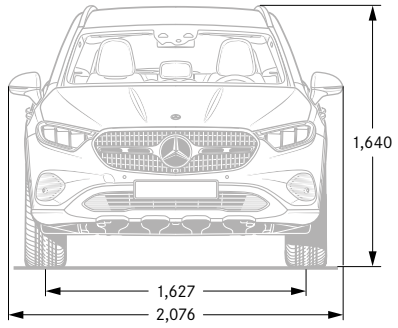
Model		GLC 220 d 4MATIC	GLC 300 d 4MATIC	GLC 300 de 4MATIC	GLC 300 4MATIC	GLC 300 e 4MATIC
Engine						
Fuel delivery		Diesel	Diesel	Diesel	Petrol	Petrol
Total displacement	cc	1,993	1,993	1,993	1,991	1,999
Arrangement/cylinders/valves		in-line/4/16	in-line/4/16	in-line/4/16	in-line/4/16	in-line/4/16
Power ¹	hp (kW) at rpm					
Combustion engine		194 (145)/3,600	266 (198)/4,200	194 (145)/3,600	254 (190)/3,200	201 (150)/6,100
Mild hybrid drive		14 (10)	14 (10)	-	14 (10)	-
Electric motor		-	-	134 (100)/2,100	-	134 (100)/2,100
Torque ¹	Nm at rpm					
Combustion engine		440/1,800–2,800	550/1,800–2,200	320/1,800–2,800	400/2,000–3,200	320/2,000–4,000
Electric motor		-	-	440	-	440
Compression ratio		15.5:1	15.5:1	15.5:1	10.0:1	10.0:1
Equivalent All-Electric Range (EAER) ²	km	-	-	126	-	129
Battery type (capacity)	kWh	-	-	Lithium-ion/31.2	-	Lithium-ion/31.2
Power consumption, combined ^{2,3}	kWh/100 km	-	-	20.4–22.5	-	20.4–22.5
Charging time – Wallbox (11 kW AC) 10–100% ⁴		-	-	2 hrs 30 mins	-	2 hrs 30 mins
Capacity on-board charger	kW	-	-	11 AC	-	11 AC
Emissions standard		EURO 6D-ISC-FCM	EURO 6D-ISC-FCM	EURO 6D-ISC-FCM	EURO 6D-ISC-FCM	EURO 6D-ISC-FCM
Transmission						
9G-TRONIC PLUS 9-speed automatic		●	●	●	●	●
Performance						
Acceleration 0–100 kph	sec	8.0	6.3	6.4	6.2	6.7
Top speed (electric mode)	kph	219	243	217 (140)	240	218 (140)

¹Figures according to Directive 80/1269/EEC in the currently applicable version ²The indicated values were determined according to the prescribed measurement method – Worldwide Harmonised Light Vehicle Test Procedure (WLTP). Figures shown may include options which are not available in the Ireland. For Plug-in Hybrid Electric Vehicle (PHEV) figures determined with the battery fully charged, using a combination of both battery power and fuel. These models require mains electricity for charging ³The certified electrical consumption is generally determined at maximum AC charging capacity using a Mode 3 cable. It is therefore recommended that vehicles with a HV battery preferably be charged at a wallbox or an AC charging station with a Mode 3 cable in order to achieve shorter charging times and improved charging efficiency ⁴Specified voltage and current values refer to network infrastructure and can be limited by the vehicle. Times are from 10–100% charge using a wallbox (three-phase) or standard socket (single-phase)

Technical data

Model		GLC 220 d 4MATIC	GLC 300 d 4MATIC	GLC 300 de 4MATIC	GLC 300 4MATIC	GLC 300 e 4MATIC
Weights and capacities						
Kerb weight ⁵	kg	2,000	2,025	2,415	1,925	2,355
Perm. Gross Vehicle Weight	kg	2,550	2,570	2,920	2,510	2,890
Boot capacity – seats up/seats down	l	600/1,640	620/1,640	400/1,497	600/1,640	400/1,497
Towing capacity – unbraked/braked	kg	750/2,500	750/2,500	750/2,500	750/2,400	750/2,000
Fuel tank capacity/of which reserve	l	62/7	62/7	49/7	62/7	49/7
Turning circle	m	11.8	11.8	11.8	11.8	11.8
Fuel consumption^{6,7,8}						
Combined (consumption dependent on chosen optional equipment)	l/100 km	6.4-6.1	6.7-6.6	0.4	8.4-8.3	0.5
	mpg	51.4-52.3	48.7-51.4	706.3	37.2-37.7	565.0

⁵Mass of the vehicle in running order with at least 90% full fuel tank, plus the mass of the driver (estimated by law at 75 kg), fuel and fluids, equipped with the standard equipment as specified by the manufacturer as well as, where applicable, the mass of the body, cab, trailer coupling and spare wheel(s) as well as tools. Optional extras, additional equipment and accessories can influence the weight, residual payload, rolling resistance, aerodynamics, etc., and therefore also affect the consumption/CO₂ values ⁶All figures are based on a standard specification with the smallest tyre size ⁷The choice of wheels and transmission may affect CO₂ emissions and corresponding Road Fund Licence ⁸The indicated values were determined according to the prescribed measurement method – Worldwide Harmonised Light Vehicle Test Procedure (WLTP). Figures shown may include options which are not available in Ireland.



Mercedes me

Welcome to your Mercedes-Benz world.

Imagine if ...you could connect with your Mercedes-Benz? With Mercedes me connect, you can! Mercedes me connect offers you new connectivity services that make driving more comfortable and incorporates your car into your personal lifestyle.

Standard Services

- Maintenance Management
- Telediagnosics
- Breakdown Management
- Accident Recovery
- Mercedes-Benz Emergency Call System

Remote Online Services¹

- Remote Retrieval of Vehicle Status (fuel level, tyre pressure etc.)
- Parked Vehicle Locator
- Vehicle Tracker
- Geofencing
- Door lock / unlock function

¹ Can be used with Remote Online special feature.





Getting connected is easy. Just set up your Mercedes me account and get in touch with your Mercedes-Benz dealer to connect your vehicle to your profile to access your Mercedes me connect services.


Contact your dealer to get connected, or go to www.mercedes.me for more details.





Follow us on the following social media channels:

 facebook.com/MercedesBenzCarsIreland

 instagram.com/mercedesbenz_cars_ireland

 linkedin.com/company/motor-distributors-ltd

 twitter.com/MercedesBenzIre

 youtube.com/mercedes-benzireland

Motor Distributors Ltd.
Naas Road
Dublin 12
Ireland
www.mercedes-benz.ie

Information correct at time of going to print. Prices and specifications are subject to change without prior notice. Prices quoted do not include dealer and delivery related charges. Images are for illustrative purposes only, actual product may vary. For more specific information in relation to the range of models, features, optional extras, colours and services available please speak to your local authorised Mercedes-Benz dealer.