

# GLE Coupé



Price list as of 1<sup>st</sup> July to 31<sup>st</sup> August 2022

Mercedes-Benz



# Welcome

At Mercedes-Benz we appreciate the importance of detail. Over the following pages you'll find model prices and a breakdown of standard and optional equipment, as well as details of the attractive finance offers and benefits that are available to every Mercedes-Benz driver.

We have highlighted some of the best styling features both inside and out, some of the new technology features and some body styling options which all combine to give you a unique driving experience. To experience a full listing of what is available; please speak directly to your local Mercedes-Benz Dealer.

Of course, some things have to be experienced to be truly appreciated, such as the qualities that set a Mercedes-Benz apart, which is why we'd like to invite you for a test drive at your local Mercedes-Benz Dealership. Discover the location and the contact details of your local Mercedes-Benz Dealership at **[www.mercedes-benz.ie](http://www.mercedes-benz.ie)**





# Price List

## Petrol

Model Description	Wheel size	CO2	VRT Rate	Road Tax	CC	BHP	Price*
GLE 400 D 4MATIC AMG Premium Coupé	21"	191 +	41.00%	€1,250	2925	330	€158,810

## Diesel Plug-In Hybrid

Model Description	Wheel size	CO2	VRT Rate	Road Tax	CC	BHP	Price*
GLE 350 DE 4MATIC AMG Premium Coupé	21"	1 - 50	7.00%	€140	1950	**	€102,830
** 1,950cc, 4-cylinder, 194hp - Electric Motor 136hp							

## MERCEDES-AMG

Model Description	Wheel size	CO2	VRT Rate	Road Tax	CC	BHP	Price*
MERCEDES-AMG GLE 53 4MATIC+ AMG Premium Coupé	21"	191 +	41.00%	€2,400	2999	435	€170,295

\*Prices applicable to all models registered from 01st July to 31st August 2022 . Subject to availability. Terms & Conditions apply. Prices quoted do not include dealer and delivery related charges.

Owing to supply shortages, options for vehicles may be temporarily restricted, resulting in modified vehicle and/or package pricing . Regularly updated information on this issue is available from Mercedes-Benz dealers.







Some of the model features, optional extras and colours shown may not be available, or may only be available in a different specification.





Some of the model features, optional extras and colours shown may not be available, or may only be available in a different specification.

# Standard equipment overview



Mirror package



Hard disc navigation with MBUX technology



Blind Spot Assist



Heated and cooled front seats (climatised seats)



12.3-inch widescreen cockpit display



Panoramic Sliding Sunroof



# Introducing MBUX



Using the touchpad you can control the display of the multimedia system



Multi-gesture touchpad control

Introducing MBUX, the brand new Mercedes-Benz User Experience infotainment system that can be controlled via voice and touch input. The new GLE Coupé joins other models to feature this innovative way of communicating with your Mercedes-Benz.

---

## MBUX (Mercedes-Benz User Experience) infotainment system comprises:

---

### Voice control

- Activated by the keywords "Hey Mercedes", the new intelligent voice control LINGUATRONIC<sup>1</sup> lets you control many of the infotainment functions, including destination input, phone calls or music selection
  - MBUX is able to understand different accents and will adjust to you over time
  - MBUX even understands indirect commands. Feeling chilly? Just say "I feel cold" and MBUX will adjust the temperature for you
- 

### Personalisation

- Turn the new GLE Coupé into your very own Mercedes-Benz by personalising driving modes, radio stations, ambient lighting and much more
  - Your personal settings can be saved in up to seven different profiles, making your driving experience the best one possible
  - Thanks to artificial intelligence, MBUX is able to learn and adapt over time. It will be able to predict your personal habits, such as navigation for frequently-driven routes, or the radio station you like to listen to on your way home from work
- 

### Touch inputs

- Beside voice control you can operate MBUX via touchscreen, the touchpad on the centre console, as well as touch control buttons on the steering wheel
  - The touchpad recognises your handwriting should you wish to enter addresses or phone numbers silently
- 

### Maintenance and service

- Wondering when the next service is due? Or how much further you can drive until you need to stop at a petrol station? Just ask your MBUX – it will tell you the answer
- 

<sup>1</sup>LINGUATRONIC off-board functions are currently only available for 3 years

# Mercedes me connect.

Stay connected, any time, anywhere.

Mercedes me is a range of innovative online services designed to enhance your Mercedes-Benz experience. Accessible via mobile, tablet or PC, Mercedes me lets you enjoy the highest standards of care and support, in a way that integrates seamlessly with your busy lifestyle.



## Navigation Services

Visit the Mercedes me connect store or app for pricing.



### Live Traffic Information<sup>1</sup>

Your navigation system receives traffic data in real time, enabling it to optimise the dynamic route guidance, minimising drive time and offering more precise estimation of arrival times.



### Local Search

This feature provides support in the local search for restaurants or hotels and much more.



### Available parking spaces

Locates parking spaces for you in multi-storey car parks and on the street. Saving you time and hassle.



### Send2Car

Make your journey easier: set your destination using the Mercedes me app and send it directly to your car's navigation system.

## Infotainment

Visit the Mercedes me connect store or app for pricing.



### Connect Store

In the Mercedes me connect Store you can purchase many digital services designed to make your everyday life easier and provide useful information relating to your networked vehicle.



### Private Car sharing

Carsharing gives you the opportunity to share your vehicle in a straightforward and safe way with third parties who you authorise.

### Internet Radio

Listen to podcasts and radio stations from anywhere in the world.

<sup>1</sup>Free of charge for first three years. Extension possible, visit the Mercedes me connect store for details on pricing



# Mercedes me connect.

Stay connected, any time, anywhere.

Mercedes me is a range of innovative online services designed to enhance your Mercedes-Benz experience. Accessible via mobile, tablet or PC, Mercedes me lets you enjoy the highest standards of care and support, in a way that integrates seamlessly with your busy lifestyle.



## Vehicle Set-up

Visit the Mercedes me connect store or app for pricing.



### Remote Vehicle Status

Check safety information, such as coolant level and brake pad condition, so you can be sure your car is safe and ready to drive.



### Personal Profile

Store your preferences, such as your favourite radio stations and apps, to create your personal driver profile.



### Parked Vehicle Locator

Forgot where you parked your car? No problem: you can locate and track your car, with the Parked Vehicle Locator.



### Vehicle Tracker

Track the location of your car anywhere in the world.



### Pre-Entry Climate Control

Programming of charging settings and Pre-Entry Climate Control for plug-in vehicles.



### Remote Door Locking/Unlocking

Lock and unlock your car remotely, wherever you are in the world.



### ECO Display

Monitor your driving style with ECO Display. It summarises your driving style from the start of the journey to its completion to help you achieve the most economical way to drive.



### Geo-fencing

Set up a geographical boundary and receive alerts whenever your car enters or leaves this area.

# GLE AMG Line Premium







Sportiness meets elegance. The new GLE Coupé AMG Line Premium truly stands out; featuring 21" alloy wheels in a multi-spoke design, dark-tinted glass and a panoramic glass sunroof. AIRMATIC air suspension ensures for vehicle dynamics and comfort on and off the road. Inside, leather sports seats are matched by brushed aluminum trim

with the dashboard lining in ARTICO man-made leather. The information on the instrument cluster and media display is easily legible, thanks to the high-resolution 12.3-inch screens. The latest generation of the MBUX infotainment system is on board too, along with the Burmester® surround sound system to keep you entertained while on the road.

**Engine, Transmission and Suspension**

AIRMATIC air suspension

**Exterior**

AMG Line body styling

21" alloy wheels – multi-spoke design

Adaptive Highbeam Assist

Heat-insulating dark-tinted glass

KEYLESS-GO Comfort package

Mirror package including projection of Mercedes-Benz logo

MULTIBEAM LED headlamps

Panoramic glass sunroof

**Interior**

Ambient lighting, staged – 64 colours

AMG Line floor mats

Climatised front seats

Dashboard lining in ARTICO man-made leather

Memory package

Multifunction sports steering wheel in nappa leather

THERMOTRONIC automatic climate control

**Communications, Safety and Assistance Systems**

Blind Spot Assist

Burmester® surround sound system

MBUX multimedia system with DAB digital radio

Parking package – including Active Parking Assist and 360 degree reversing camera

Smartphone integration

Widescreen (12.3-inch) cockpit display

**Trim and Upholstery**

Brushed aluminium trim with light longitudinal grain

Rough leather / leather black



## Premium Plus Package - from\* €11,441

\*Additional specification to Premium package

---

22" AMG 5-twin-spoke light alloy wheels

---

Driving Assistance Package

---

Head-up Display

---

Magic Vision Control

---

MB Interior Assistant

---

Sidebags in rear



\*Price subject to vehicle specification.  
 Owing to supply shortages, options for vehicles may be temporarily restricted, resulting in modified vehicle and/or package pricing. Regularly updated information on this issue is available from Mercedes-Benz dealers.

## Executive Package - from\* €23,620

\*Additional specification to Premium Package + Premium Plus Package

---

Acoustic Comfort Package

---

Driving Assistance Package Plus

---

Heated Steering Wheel

---

Heated Rear Seats

---

Exclusive Interior

---

Nappa Leather Dashboard

---

Nappa Leather Upholstery Magma Grey/Black

---

Soft Close Doors



\*Price subject to vehicle specification.  
 Owing to supply shortages, options for vehicles may be temporarily restricted, resulting in modified vehicle and/or package pricing. Regularly updated information on this issue is available from Mercedes-Benz dealers.



## Options:

	From*
Aluminium-look, illuminated running boards	€1,592
Driving Assistance package	€3,770
E-ACTIVE Body Control	€16,562
Head-up Display	€2,779
Heated rear seats	€916
Trailer coupling with ESP® trailer stabilisation	€2,445



\*Price subject to vehicle specification.  
Owing to supply shortages, options for vehicles may be temporarily restricted, resulting in modified vehicle and/or package pricing. Regularly updated information on this issue is available from Mercedes-Benz dealers.

# Mercedes-AMG GLE 53 4MATIC+ Premium





AMG-specific radiator grille



AMG TRACK PACE



AMG side sill panels



The new Mercedes-AMG GLE 53 4MATIC+ Premium adds even more style and elegance together with hallmark AMG features such as the AMG-specific radiator grille and the AMG bodystyling with AMG side sill panels. Additionally, the model comes with 21" AMG 5-twin-spoke alloy wheels and

*In addition to/replacement of AMG Line Premium:*

#### Engine, Transmission and Suspension

---

AMG RIDE CONTROL sports suspension based on AIR BODY CONTROL air suspension

---

AMG SPEEDSHIFT TCT 9G

---

#### Exterior

---

21" AMG 5-twin-spoke alloy wheels

---

AMG bodystyling – front apron with distinctive air intakes, AMG side sill panels and AMG rear apron with diffuser look

---

'AMG' lettering on front brake calipers

---

AMG-specific radiator grille

---

'BITURBO 4MATIC+' lettering on front wings

---

EQ Boost starter alternator

---

'AMG' lettering on the front brake calipers. AMG RIDE CONTROL sports suspension provides a driving experience that's characterised by long-distance comfort and great agility, neutral cornering behaviour and maximum traction.

#### Trim and Upholstery

---

Anthracite open-pore oak wood trim

---

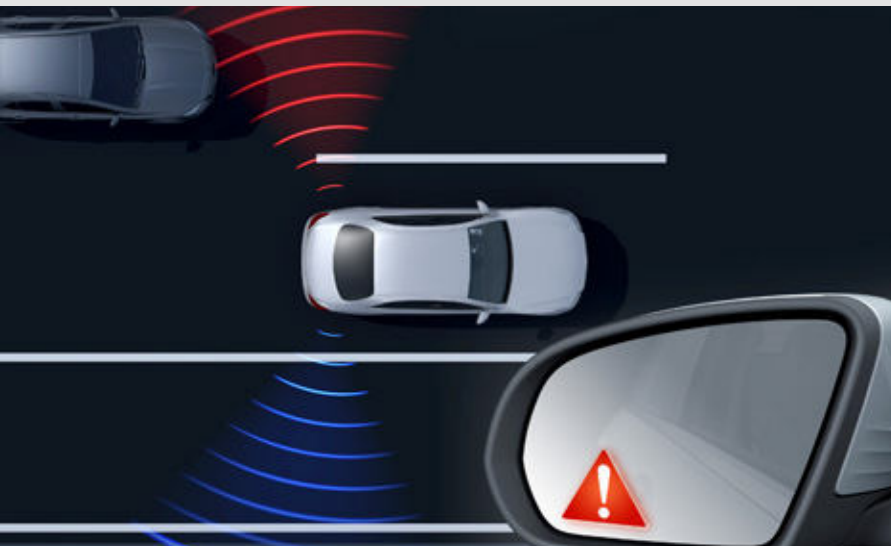
AMG nappa leather – black

---

# Driving Assistance package



Active Distance Assist DISTRONIC



Active Steering Assist

---

## Active Blind Spot Assist

- Exit warning function

---

## Active Braking Assist

- Cornering and Cross-Traffic function
- Congestion emergency braking function

---

## Active Distance Assist DISTRONIC

- Active Speed Limit Assist
- Extended restart function on motorways
- Route-Based Speed Adjustment with end of tailback function

---

## Active Lane Keeping Assist

---

## Active Steering Assist

- Active Emergency Stop Assist with SOS function
- Emergency lane function

---

## Evasive Steering Assist

---

## Pedestrian warning function near pedestrian crossings

---

## PRE-SAFE® PLUS

---

## Traffic Sign Assist

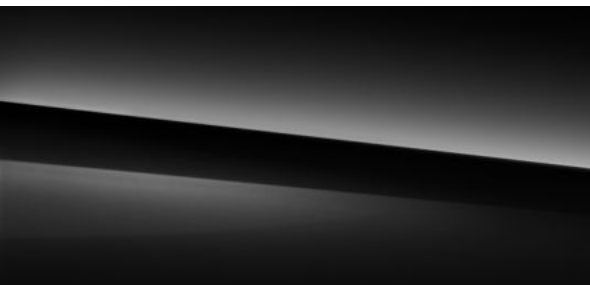
---

# Colours, trim and upholstery

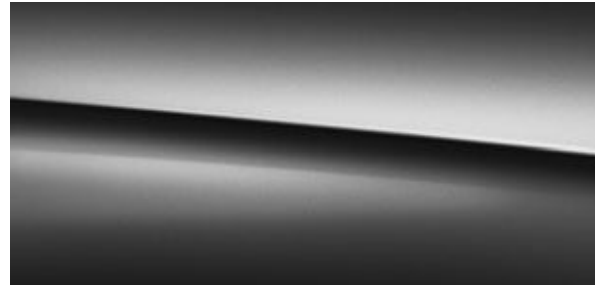




# Non-metallic and metallic paints



040 black non-metallic

**Standard**

197 obsidian black metallic

**Option**

896 brilliant blue metallic

**Option**

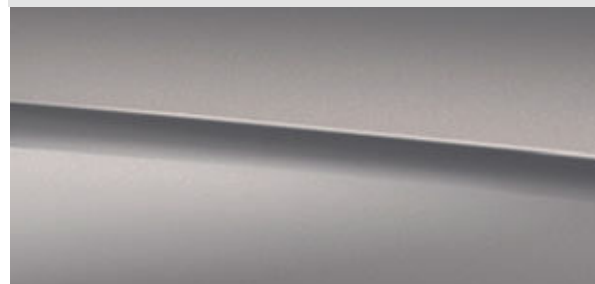
149 polar white non-metallic

**Option**

922 high-tech silver metallic

**Option**

989 emerald green metallic

**Option**

859 mojave silver metallic

**Option**

# Special paints



799 MANUFAKTOR diamond white metallic

**Option**



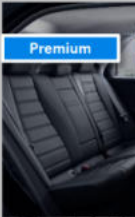

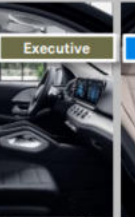



996 MANUFAKTOR hyacinth red metallic

**Option**

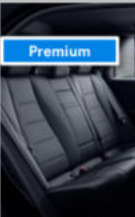
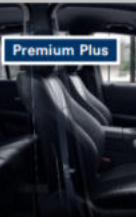


# Upholstery & Trim

INTERIOR CONCEPT

BASE

					
<p><b>201A</b> Rough leather/leather black <b>H46</b> Brushed alum. trim with light longit. grain</p>		<p><b>215A</b> Rough leather/leather macc./beige <b>H31</b> Grey open-pore ash</p>			







AMG Line

			
<p><b>801A</b> Nappa leather/leather black <b>H31</b> Grey open-pore ash</p>		<p><b>885A</b> Nappa leather/leather white/black <b>H31</b> Grey open-pore ash</p>	



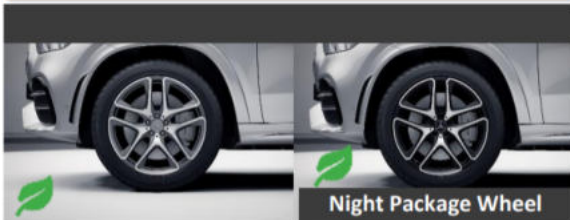
# Wheel Portfolio for 350 de + 400 d

## AMG Line

21"	 <p>Premium</p> <p>RWA - AMG multi-spoke light-alloy wheels</p>	 <p>Night Package Wheel</p> <p>RWB - AMG 5-twin-spoke light-alloy wheels</p>
22"	 <p>Premium Plus Executive</p>  <p>RXS - AMG 5-twin-spoke light-alloy wheels</p>	 <p>Night Package Wheel</p>  <p>RXT - AMG 5-twin-spoke light-alloy wheels</p>

# Wheel Portfolio for AMG 53 + AMG 63 S

## AMG Premium



RWD - AMG 5-twin-spoke light-alloy wheels      RWE - AMG 5-twin-spoke light-alloy wheels

## AMG Premium Plus



RXU - AMG cross-spoke light-alloy wheels      RXV - AMG cross-spoke light-alloy wheels

## AMG Ultimate



RXU - AMG cross-spoke light-alloy wheels      RXV - AMG cross-spoke light-alloy wheels

21"

22"

# Technical data

Model	Diesel engines		Petrol engines		
	GLE 350 de 4MATIC	GLE 400 d 4MATIC	Mercedes-AMG GLE 53 4MATIC+	Mercedes-AMG GLE 63 S 4MATIC+	
<b>Engine</b>					
Total displacement	cc	1,950	2,925	2,999	3,982
Arrangement/cylinders/valves		inline/4/16	in-line/6/24	in-line/6/24	inline/8/32
Power <sup>1</sup>	hp (kW) at rpm				
Combustion engine		194 (143)/3,800	330 (243)/3,600–4,200	435 (320)/6,100	612 (450)/5,750–6,500
Electric motor [EQ Boost]		136 [100]	–	[22 (16)/900]	[22 (16)/900]
System output		320 (235)	–	–	–
Torque <sup>1</sup>	Nm at rpm				
Combustion engine		400/1,600–2,800	700/1,200–3,200	520/1,800–5,800	850/2,500–4,500
Electric motor/EQ Boost		440	–	250/500	250/500
System output		700	–	–	–
Equivalent All-Electric Range (EAER) <sup>2</sup>	km	88	–	–	–
Battery type/capacity	kWh	Lithium-ion/30.8	–	–	–
Power consumption, combined <sup>2</sup>	Wh/km	28.7–25.4	–	–	–
AC charging time, 10–100% <sup>3</sup>	h				
At a domestic socket <sup>4</sup>		11.5	–	–	–
At a wall box		3.25	–	–	–
Capacity on-board charger	kW	7.2	–	–	–

<sup>1</sup>Figures according to Directive 80/1269/EEC in the currently applicable version

<sup>2</sup>The indicated values were determined according to the prescribed measurement method – Worldwide Harmonised Light Vehicle Test Procedure (WLTP). Figures shown may include options which are not available in Ireland.

For Plug-in Hybrid Electric Vehicle (PHEV) figures determined with the battery fully charged, using a combination of both battery power and fuel. These models require mains electricity for charging

<sup>3</sup>Specified voltage and current values refer to network infrastructure and can be limited by the vehicle

<sup>4</sup>If you are planning to charge your Mercedes-Benz plug-in electric vehicle using a 3-pin domestic plug socket you must get a qualified electrician to inspect and sign off the socket to confirm it is safe and suitable to charge your vehicle.

Do not use an electric vehicle 3-pin charge cable with an extension cord



Model	Diesel engines		Petrol engines	
		GLE 350 de 4MATIC	GLE 400 d 4MATIC	Mercedes-AMG GLE 53 4MATIC+

**Engine (continued)**

Compression ratio	tbc	15.5:1	10.5:1	tbc
Emissions standard	EURO 6D ISC-FCM	EURO 6D ISC-FCM	EURO 6D ISC-FCM	EURO 6D ISC-FCM

**Transmission**

9G-TRONIC PLUS 9-speed automatic	●	●	-	-
AMG SPEEDSHIFT TCT 9G automatic	-	-	●	●

**Tyre sizes**

Front	285/40	285/40	285/40	285/40
Rear	325/35	325/35	325/35	325/35

**Performance**

Acceleration 0–100 kph	sec	6.9	5.7	5.3	3.0
Top speed	kph	210	240	250 <sup>2</sup>	280 <sup>2</sup>

<sup>2</sup>Electronically limited

Model	Diesel engines		Petrol engines	
	GLE 350 de 4MATIC	GLE 400 d 4MATIC	Mercedes-AMG GLE 53 4MATIC+	Mercedes-AMG GLE 63 S 4MATIC+

**Weights and capacities**

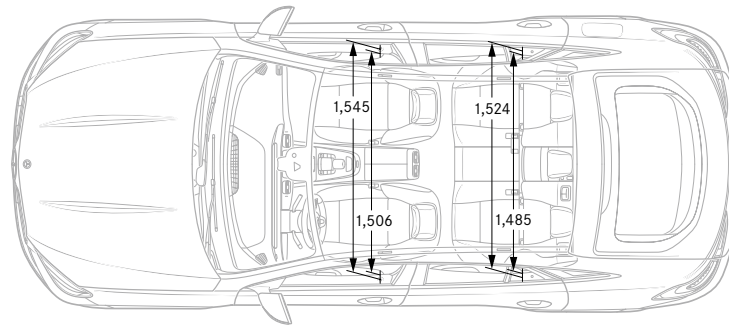
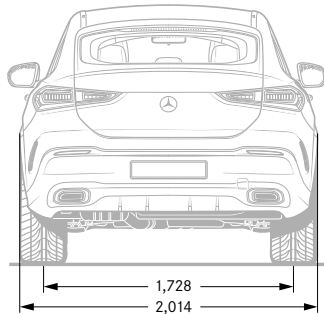
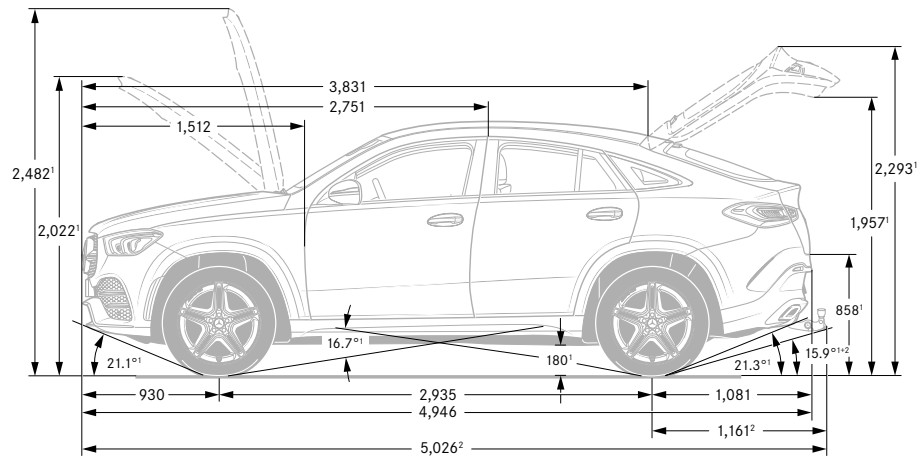
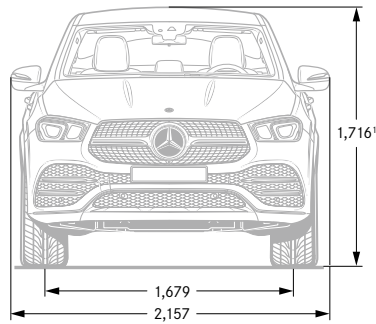
Kerb weight <sup>3</sup>	kg	2,690	2,295	2,325	2,445
Perm. Gross Vehicle Weight	kg	3,230	3,040	3,050	3,120
Towing capacity – unbraked		750	750	750	750
braked	kg	2,700	2,700	3,500	3,500
Boot capacity	l	510	655	655	655
Fuel tank capacity/of which reserve	l	65/9.0	65/9.0	85/9.0	85/12.0
Turning circle kerb to kerb	m	11.8	11.8	12.3	12.3

**Fuel consumption<sup>4, 5, 6</sup>**

Combined (consumption dependent on chosen optional equipment)	l/100 km	8.4	8.4	10.7–10.8	12.4
---	----------	-----	-----	-----------	------

<sup>3</sup>Figures according to Directive 92/21/EC (kerb weight with fuel tank 90% full, driver, 68 kg, and luggage, 7 kg) for standard-specification vehicles. Optional extras and accessories will generally increase this figure and reduce the payload capacity accordingly <sup>4</sup>All figures are based on a standard specification with the smallest tyre size <sup>5</sup>The choice of wheels and transmission may affect CO<sub>2</sub> emissions and corresponding VRT Rate. <sup>6</sup>The indicated values were determined according to the prescribed measurement method – Worldwide Harmonised Light Vehicle Test Procedure (WLTP). Figures shown may include options which are not available in Ireland. Figures shown are for comparability purposes; only compare with other cars tested to the same technical procedures. Figures may not reflect real life driving results, which will depend upon a number of factors including factory-fitted options, accessories fitted (post registration), variations in weather, driving styles and vehicle load.

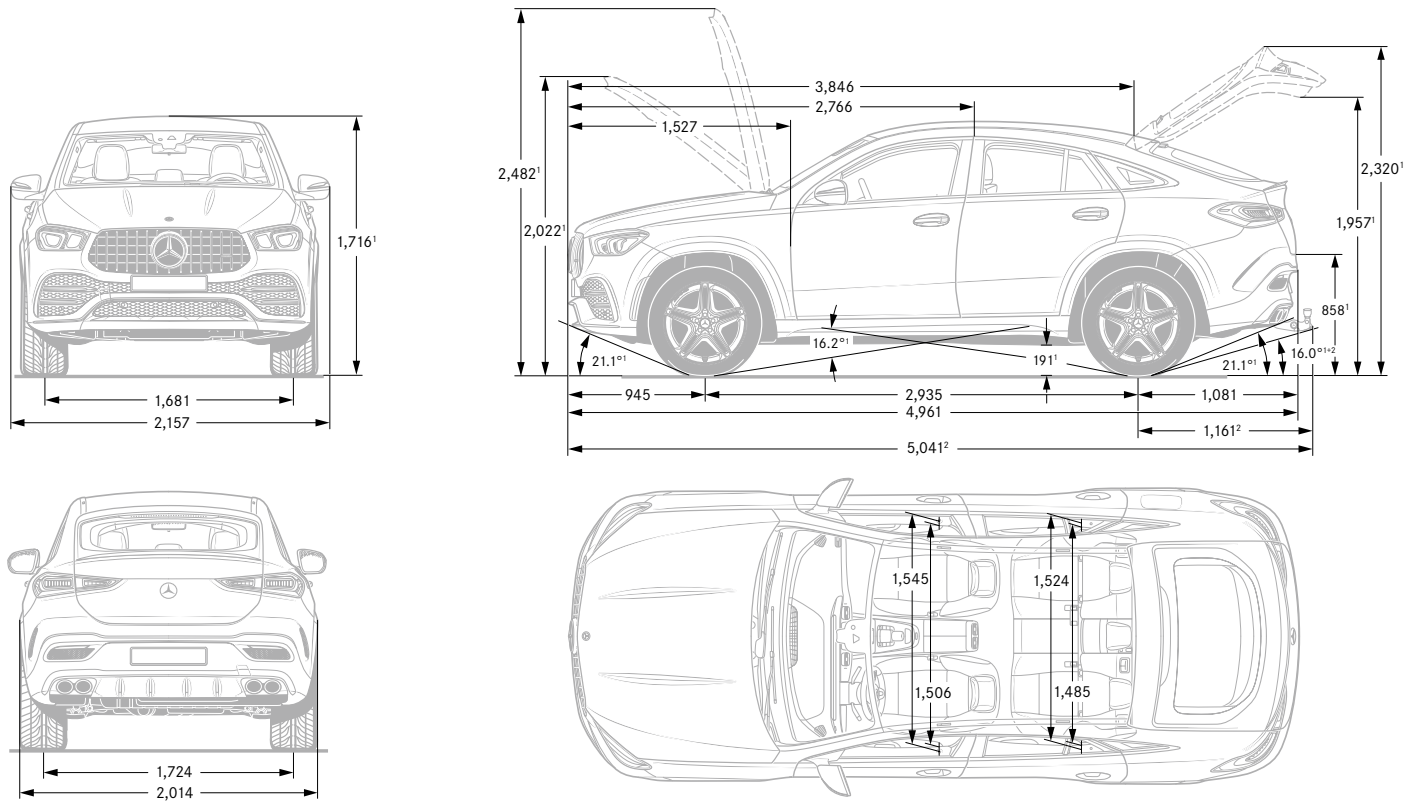
# AMG Line Premium



All measurements in millimetres. The dimensions shown are mean values and apply to standard-specification, unladen vehicles

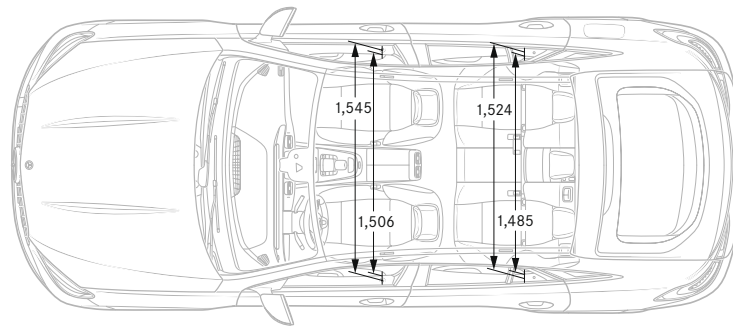
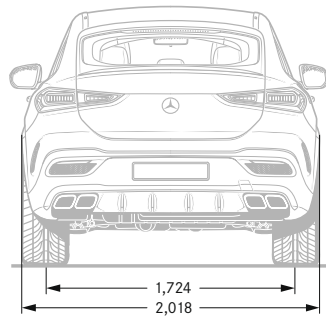
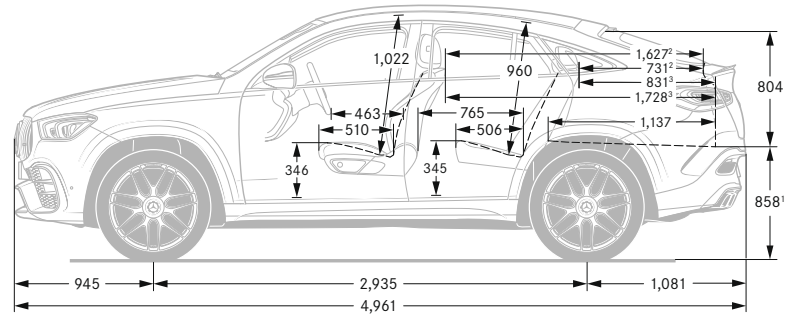
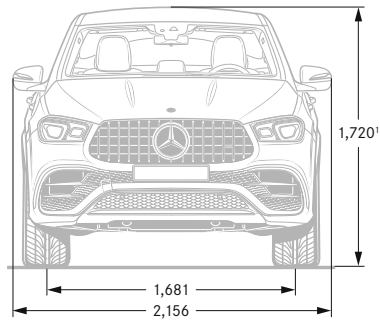


## Mercedes-AMG GLE 53 4MATIC+ Premium Plus



All measurements in millimetres. The dimensions shown are mean values and apply to standard-specification, unladen vehicles

# Mercedes-AMG GLE 63 S 4MATIC+



All measurements in millimetres. The dimensions shown are mean values and apply to standard-specification, unladen vehicles

# Mercedes me

Welcome to your Mercedes-Benz world.

Imagine if ...you could connect with your Mercedes-Benz? With Mercedes me connect, you can! Mercedes me connect offers you new connectivity services that make driving more comfortable and incorporates your car into your personal lifestyle.

## Standard Services

- Maintenance Management
- Telediagnosics
- Breakdown Management
- Accident Recovery
- Mercedes-Benz Emergency Call System

## Remote Online Services<sup>1</sup>

- Remote Retrieval of Vehicle Status (fuel level, tyre pressure etc.)
- Parked Vehicle Locator
- Vehicle Tracker
- Geofencing
- Door lock / unlock function

<sup>1</sup> Can be used with Remote Online special feature.




Getting connected is easy. Just set up your Mercedes me account and get in touch with your Mercedes-Benz dealer to connect your vehicle to your profile to access your Mercedes me connect services.


Contact your dealer to get connected, or go to [www.mercedes.me](http://www.mercedes.me) for more details.





Follow us on the following social media channels:

 [facebook.com/MercedesBenzIreland](https://facebook.com/MercedesBenzIreland)

 [instagram.com/mercedesbenz\\_ireland](https://instagram.com/mercedesbenz_ireland)

 [linkedin.com/company/motor distributors ltd](https://linkedin.com/company/motor-distributors-ltd)

 [twitter.com/MB\\_IRELAND](https://twitter.com/MB_IRELAND)

 [youtube.com/mercedesbenzireland](https://youtube.com/mercedesbenzireland)

 [pinterest.com/mercedesbenzire](https://pinterest.com/mercedesbenzire)

Motor Distributors Ltd.  
Naas Road  
Dublin 12  
Ireland  
[www.mercedes-benz.ie](http://www.mercedes-benz.ie)

Information correct at time of going to print. Prices and specifications are subject to change without prior notice. Prices quoted do not include dealer and delivery related charges. Images are for illustrative purposes only, actual product may vary. For more specific information in relation to the range of models, features, optional extras, colours and services available please speak to your local authorised Mercedes-Benz dealer.